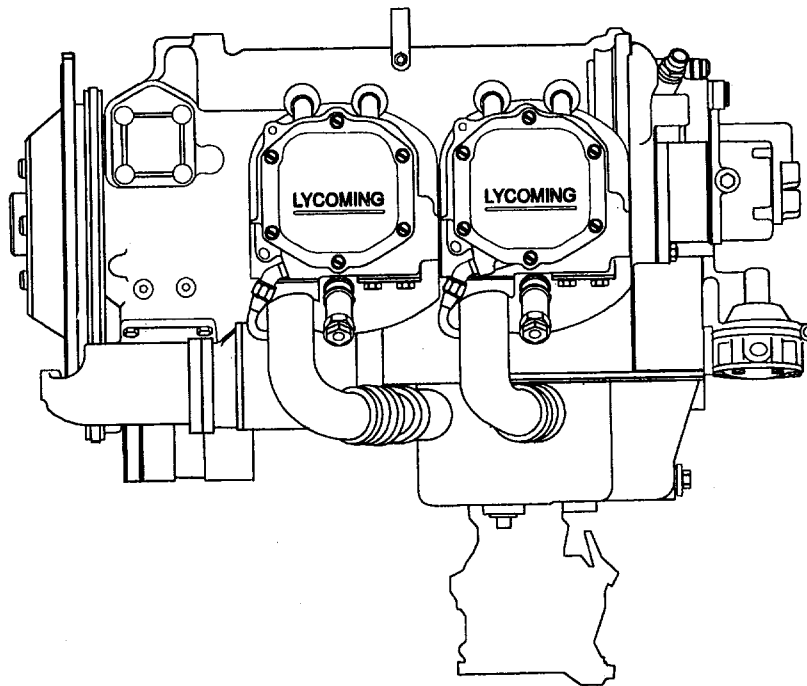


TEXTRON Lycoming AIRCRAFT ENGINES

O-360-C4F & -C4P Wide Cylinder Flange Crankcase Model Engines

PARTS CATALOG PC-306-8



OCTOBER 1995

TEXTRON Lycoming

652 Oliver Street
Williamsport, PA 17701 U.S.A.
717/323-6181

This illustrated parts catalog contains a complete parts listing for the Textron Lycoming O-360-C4F and O-360-C4P wide cylinder flange crankcase model aircraft engines.

Major assembly and sub-assembly parts of the engines are listed in the Group Assembly sections in the general sequence of engine build up.

A Service Kits section and Oversize and Undersize Parts List are included to aid in ordering parts as necessary during overhaul.

The Numerical Index is provided for convenience in finding parts when only the part number is known.

Parts coverage of Vendor Accessories used on Textron Lycoming engines may be found in the appropriate Vendor's Parts Catalog. A list of addresses of where to obtain these publications appears in the latest edition of Service Letter No. L114.

NOTE

The illustrations, pictures and drawings shown in the publication are typical of the subject matter they portray.

This catalog, when used in conjunction with the appropriate overhaul manual, shall be used for parts identification only. Under no circumstances shall this catalog be used as an assembly or installation document.

Any reference in this document to a suppliers/parts manufacturer's product, by name, trademark, part number or other description is solely for the purposes of identification and does not indicate or infer that Textron Lycoming accepts responsibility for quality control and/or airworthiness of parts which do not pass through the Textron Lycoming quality control system.

All Textron Lycoming publications will bear the copyright notice © Textron Lycoming 1986, "All Rights Reserved", and all Textron Lycoming publications are to be considered copyrighted and may not be reproduced without permission of the company.

SERVICE BULLETINS, INSTRUCTIONS AND LETTERS

Although the information contained in this parts catalog is up-to-date at time of publication, users are advised to procure current information through all Textron Lycoming distributors or from the factory by subscription. Consult the latest edition of Service Letter No. L114 for subscription information.

HOW TO ORDER PARTS

In ordering parts for your engine, observe the following instructions which will expedite shipment of correct parts required without delay.

- a. Always specify the model and serial number of your engine.
- b. Always specify part number, nomenclature and quantity required.

TABLE OF CONTENTS

SECTION	PAGE
Introduction	i
Table of Contents	ii
Oversize and Undersize Parts Listing	iii
1. CRANKCASE, CRANKSHAFT AND CAMSHAFT GROUP	
Crankcase Assembly and Conical Engine Mounting Parts	1-1
Oil Level Gage Assembly and Crankcase Related Parts	1-3
Crankshaft Assembly and Related Parts	1-5
Crankshaft Idler Gears, Tachometer Drive and Camshaft	1-7
Crankcase Attaching Parts	1-9
2. ACCESSORY HOUSING AND RELATED PARTS	
Accessory Housing Assembly	2-1
Oil Pump and Accessory Housing Attaching Parts	2-3
Fuel Pump and Propeller Governor Drive Cover	2-5
Vacuum Pump Drive and Cover	2-7
Oil Filter Assembly, Oil Cooler Bypass Valve and Breather Fitting	2-9
3. CYLINDER, PISTON AND VALVE TRAIN	
Connecting Rods, Pistons and Ring Assemblies	3-1
Cylinder Assembly	3-3
Cylinder Related Parts	3-5
Valve Assembly	3-7
Cylinder Head Drain Tubes, Intercylinder Cooling Baffles and Rocker Box Covers	3-9
4. IGNITION SYSTEM	
Magnetos, Drives, Harnesses and Spark Plugs	4-1
5. ELECTRICAL SYSTEM	
Prestolite Starter and Attaching Parts	5-1
Sky-Tec Starter and Attaching Parts	5-2
Alternator Assembly and Belt	5-3
Alternator Mounting and Attaching Parts (C4F)	5-5
Generator Mounting and Attaching Parts (C4P)	5-7
6. OIL SUMP AND INDUCTION SYSTEM	
Oil Sump Assembly and Oil Suction Screen (C4F)	6-1
Oil Sump Assembly and Oil Suction Screen (C4P)	6-3
Intake Pipes and Attaching Parts	6-5
Carburetor Assembly	6-7
7. SERVICE KIT SECTION	7-1
8. NUMERICAL INDEX	8-1

Oversize and Undersize Parts Listing

Part No.	Description	Oversize								Undersize		
		P02 .002	P05 .005	P10 .010	P15 .015	P20 .020	P30 .030	P40 .040	P50 .050	M03 .003	M06 .006	M10 .010
61681	GUIDE	See Latest Edition of Service Instruction No. 1256.										
66610	BUSHING		X	X								
66796	INSERT			X								
69796	DOWEL		X									
72057	SEAT			X		X	X					
72058	SEAT			X		X	X					
72155-S	BUSHING		X	X	X	X						
74230	GUIDE	See Latest Edition of Service Instruction No. 1256.										
74241	RING			X								
75656-S	BUSHING		X	X	X	X						
75657-S	BUSHING		X	X		X						
LW-11997	SEAL	See Latest Edition of Service Instruction No. 1324.										
LW-13521	BEARING			X						X*	X*	X*
LW-13792	SEAL	See Latest Edition of Service Instruction No. 1324.										
LW-13884	BEARING				X					X	X	X
LW-16711	BEARING				X					X	X	X
STD-1065	DOWEL	X	X	X	X							
14H21950	RING			X		X						
18A19441	BEARING				X					X	X	X

* Also available in P10 oversize.

In addition to the above, studs are available in P03, P07 & P12.

NOTE

When ordering oversize and undersize parts, be sure to specify the required oversize and undersize dimension along with the proper part number. For example, to order bearing LW-13884 in .003 undersize, order part number LW-13884-M03. Oversize code letter is "P" while undersize code letter is "M". These letters are then followed by the number designating the size in thousandths of an inch.

SECTION

1

**CRANKCASE,
CRANKSHAFT AND
CAMSHAFT GROUP**

CRANKCASE, CRANKSHAFT AND CAMSHAFT GROUP
CRANKCASE ASSEMBLY AND CONICAL ENGINE MOUNTING PARTS

FIG. REF. 1	PART NUMBER	DESCRIPTION	QTY. PER ASSY.
1	11B20061-3SH	CRANKCASE ASSEMBLY (See Note)	1
2	75154	STUD, 1/2-13 x 10-1/32 long	2
3	50-15	STUD, 1/2-13 x 1-7/8 long	8
4	38-13	STUD, 3/8-16 x 1-5/8 long	16
5	38D-17	STUD, 3/8-16 x 2-1/8 long, drilled	1
6	31C-12	STUD, 5/16-18 x 1-1/2 long	2
7	31C-13	STUD, 5/16-18 x 1-5/8 long	1
8	STD-557	DOWEL, 1/2 dia. x 11/16 long, hollow	2
9	STD-514	DOWEL, 5/16 dia. x 1/2 long	2
10	STD-1623	INSERT, 1/4-20 Helicoil x 3/8 long	2
11	LW-13793	STUD, 5/16-18 x 15/16 long, drilled	1
12	69796	DOWEL, Crankshaft bearing	2
13	1102	PLUG, 1/8-27 NPT, Allen head	6
14	STD-1339	PLUG, 1/16-27 NPT, Allen head	4
15	71032	BUSHING, Engine support	8
16	STD-619	WASHER, 17/32 I.D. x 1-3/4 O.D. x 5/32 thick	8

NOTE

This part is not available as a service item. Refer to Service Kits, Section 7, for applicable Crankcase Assembly and Governor Stud Kit Part Number.

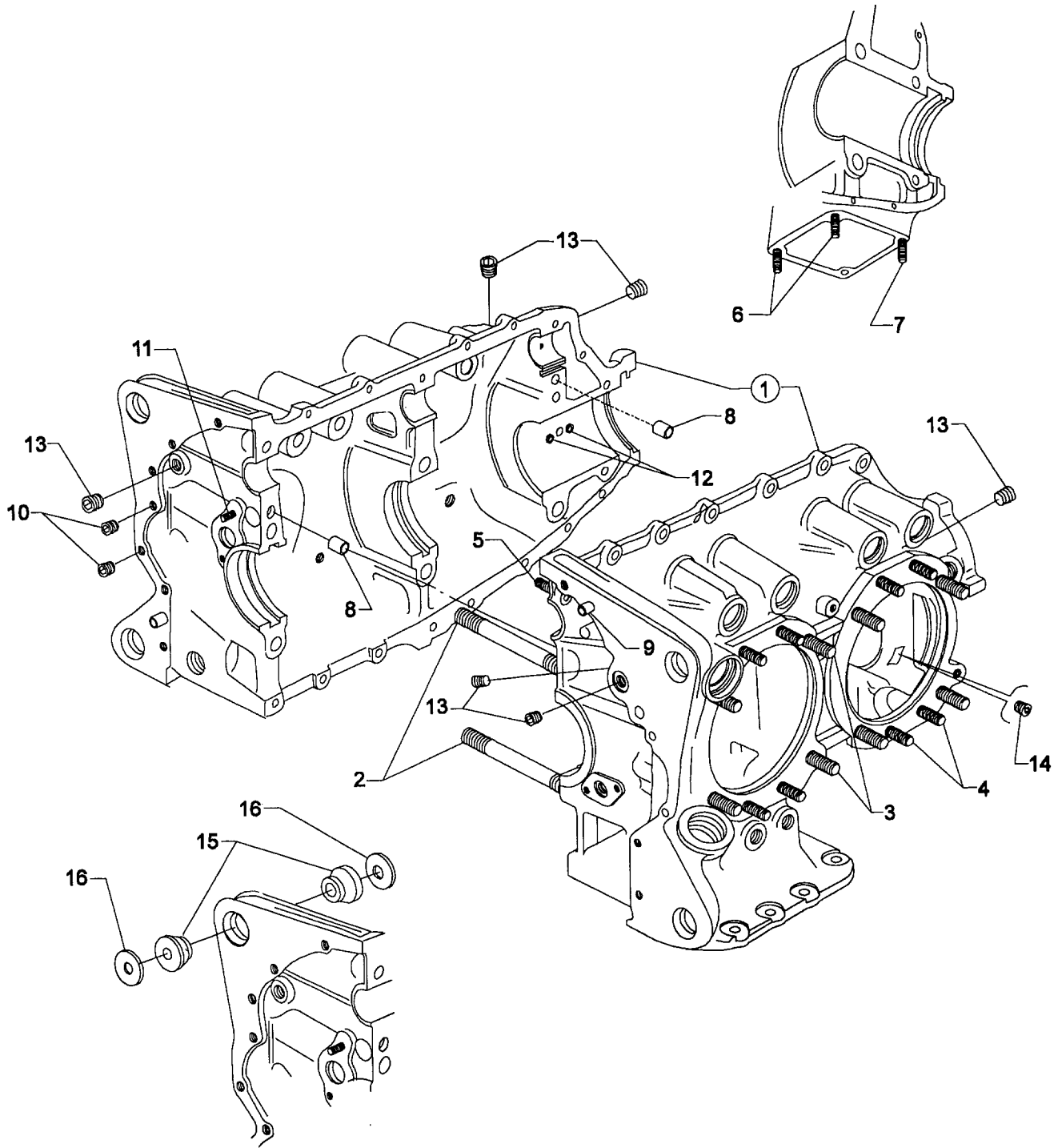


Figure 1. CRANKCASE ASSEMBLY AND CONICAL ENGINE MOUNTING PARTS

**CRANKCASE, CRANKSHAFT AND CAMSHAFT GROUP
OIL LEVEL GAGE ASSEMBLY AND CRANKCASE RELATED PARTS**

FIG. REF. 2	PART NUMBER	DESCRIPTION	QTY. PER ASSY.
1	75736	TUBE, Oil level gage, long (C4F)	1
	75767	TUBE, Oil level gage, intermediate (C4P)	1
2	72059	GASKET, Oil level gage	1
3	74068	RING, Oil level gage seal (C4F)	1
	74065	RING, Oil level gage seal (C4P)	1
4	LW-16783-18	GAGE ASSEMBLY, Oil level (C4F)	1
	LW-14780	GAGE ASSEMBLY, Oil level (C4P)	1
5	1028-B	BALL, 11/16 diameter	1
6	61084*	SPRING, Oil pressure relief valve	1
	68668*	SPRING, Oil pressure relief valve	1
	77467*	SPRING, Oil pressure relief valve	1
	LW-11713*	SPRING, Oil pressure relief valve	1
	LW-18085*	SPRING, Oil pressure relief valve	1
7	06E19769-1.25	GASKET, 1-1/4 I.D. x 1-1/2 O.D. x 3/32 annular	1
8	77808	VALVE ASSY., Oil pressure relief valve, adj.	1
9	LW-16711	BEARING, Crankshaft	4
10	LW-13884	BEARING, Crankshaft, front	2
	18A19441	BEARING, Crankshaft, front (alternate)	2
11	LW-13792**	SEAL, Crankshaft oil, solid	1
	LW-11997**	SEAL, Crankshaft oil, split	1
12	72075	SEAL, Oil, 3/32 section x 7/16 I.D.	2
13	72091	RING, Oil seal, 23/64 I.D. x 7/64 dia.	2
14	72877	BODY, Hydraulic tappet	8

* Select spring to give a minimum of three threads exposed on adjusting screw to allow field adjustment. Reference latest revision of Textron Lycoming Table of Limits SSP-1776, Part I for spring identification.

** See latest edition of Textron Lycoming Service Instruction No. 1324 for installation.

**CRANKCASE, CRANKSHAFT AND CAMSHAFT GROUP
CRANKSHAFT ASSEMBLY AND RELATED PARTS**

FIG. REF. 3	PART NUMBER	DESCRIPTION	QTY. PER ASSY.
1	13B27135	CRANKSHAFT AND BUSHING ASSEMBLY	1
2	STD-1065	DOWEL, Stepped, 5/16 & 1/4 dia. x 35/64 long	1
3	75657-S	BUSHING, Propeller flange, indexing	1
4	72155-S	BUSHING, Propeller flange, short	1
5	75656-S	BUSHING, Propeller flange, long	4
6	13S19646*	GEAR, Crankshaft	1
7	LW-18639	LOCKPLATE, Crankshaft gear	1
8	STD-2213	SCREW, 5/16-24 x 1.00 long	1
9	LW-16471	SUPPORT ASSY., Starter ring gear, (C4F) 12/14 pitch	1
	LW-16064	SUPPORT ASSY., Starter ring gear, (C4P) 12/14 pitch	1
10	72566	GEAR, Starter ring	1

* See latest edition of Textron Lycoming Service Bulletin No. 475 for proper installation.

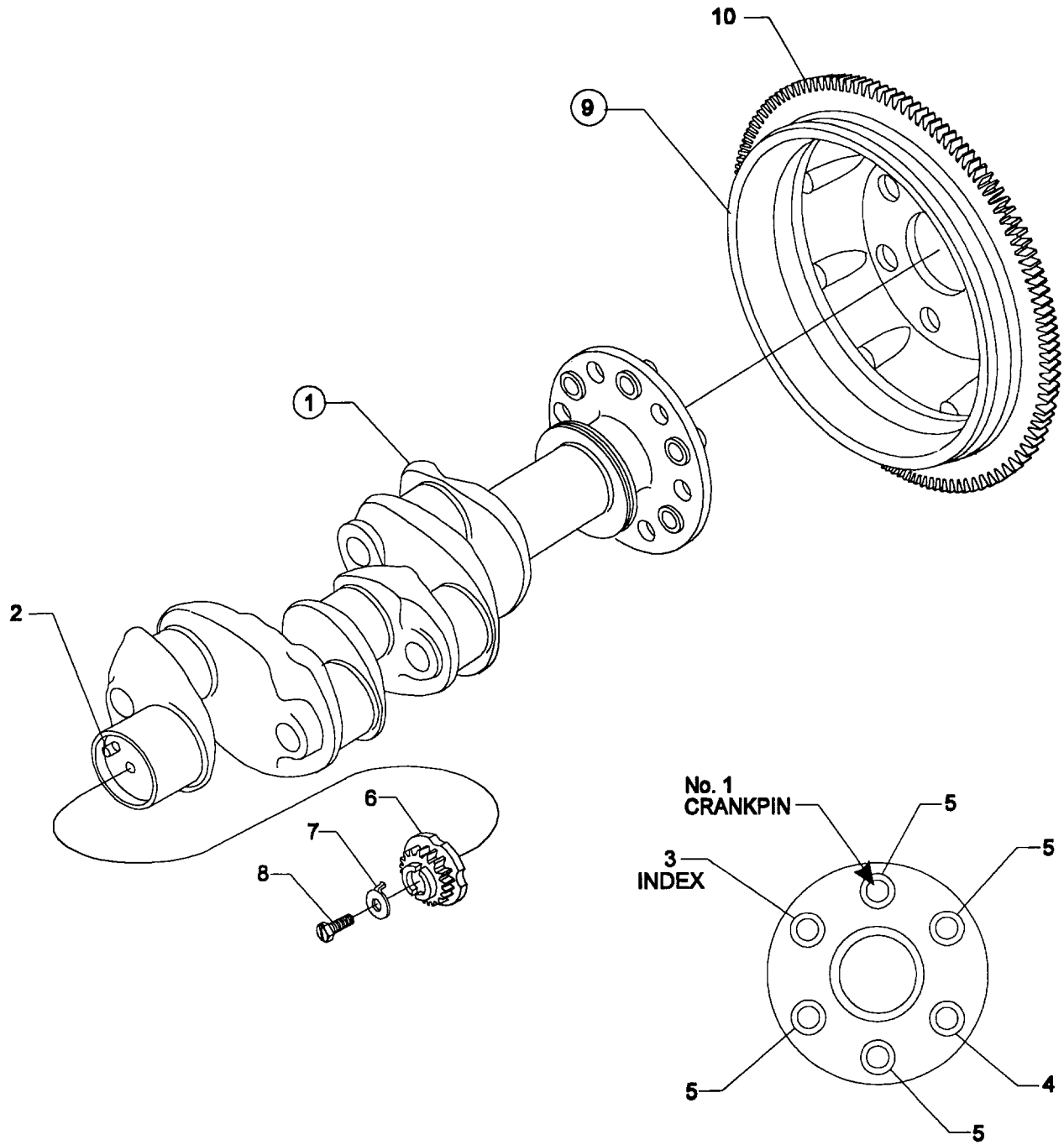


Figure 3. CRANKSHAFT ASSEMBLY AND RELATED PARTS

**CRANKCASE, CRANKSHAFT AND CAMSHAFT GROUP
CRANKSHAFT IDLER GEARS, TACHOMETER DRIVE AND CAMSHAFT**

FIG. REF. 4	PART NUMBER	DESCRIPTION	QTY. PER ASSY.
1	61544	PLUNGER, Fuel pump, long (C4F)	1
2	74996	GEAR ASSY., Crankshaft idler, plain (C4F)	1
	74996	GEAR ASSY., Crankshaft idler, plain (C4P)	2
3	77309	BUSHING, Crankshaft idler, plain (C4F)	1
	77309	BUSHING, Crankshaft idler, plain (C4P)	2
4	75072	GEAR ASSY., Crankshaft idler (C4F)	1
5	77309	BUSHING, Crankshaft idler gear (C4F)	1
6	76121	SHAFT ASSY., Tachometer	1
7	LW-18667	PIN, 3/16 dia. x 2-21/64 long	1
8	STD-2231	RING, Internal retaining	1
9	LW-13796	SHAFT, Crankshaft idler gear	2
10	LW-31H0.88	BOLT, 5/16-18 x 7/8 long, hex. hd., dr.	3
11	STD-2168	NUT, 5/16-18 NC-3 slotted shear	1
12	LW-18840	CAMSHAFT ASSEMBLY	1
13	76118	SPACER, Tach. shaft centering	1

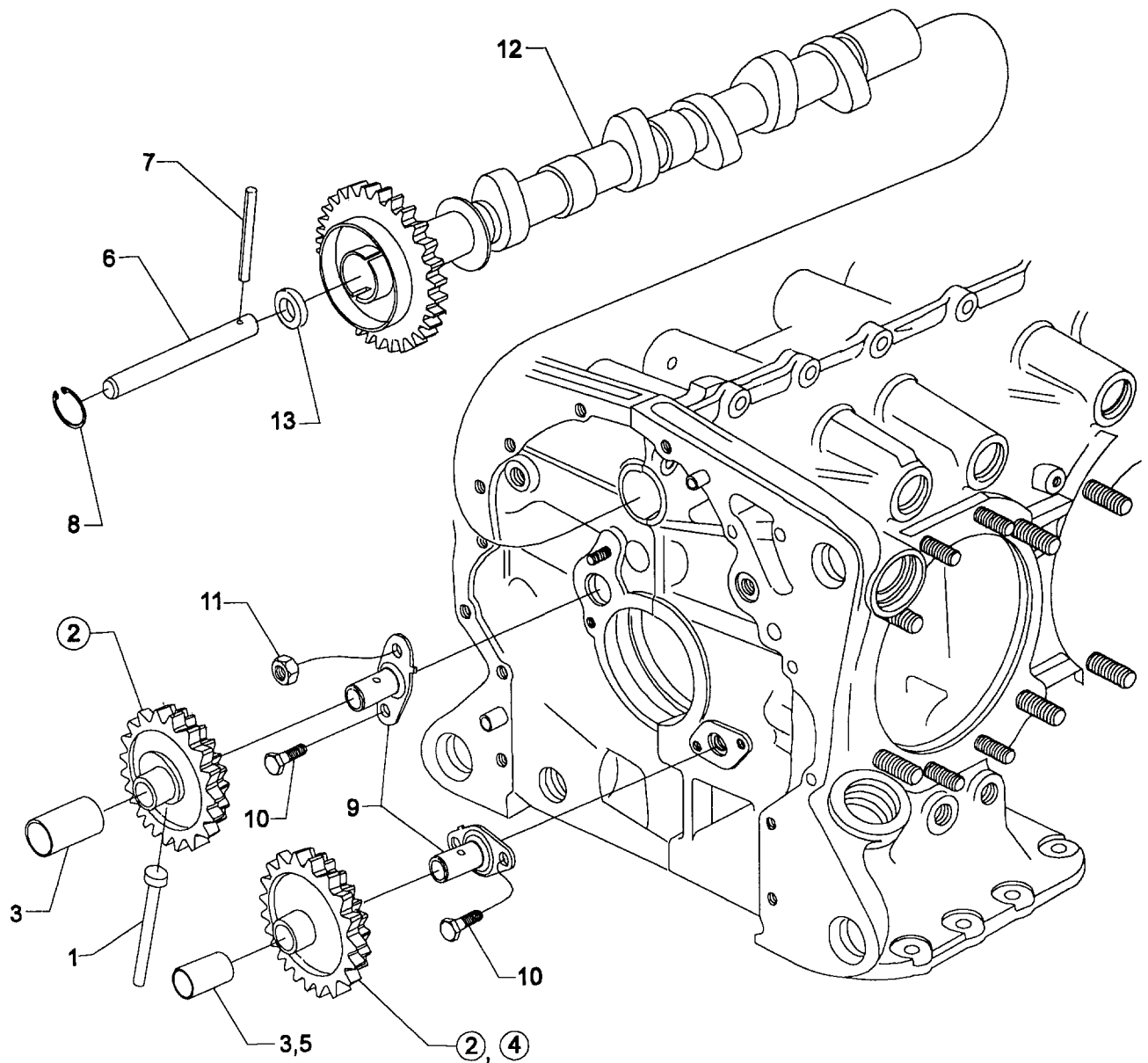


Figure 4. CRANKSHAFT IDLER GEARS, TACHOMETER DRIVE AND CAMSHAFT

**CRANKCASE, CRANKSHAFT AND CAMSHAFT GROUP
CRANKCASE ATTACHING PARTS**

FIG. REF. 5	PART NUMBER	DESCRIPTION	QTY. PER ASSY.
1	LW-25-1.50	BOLT, 1/4-20 x 1-1/2 long, hex. hd.	8
2	STD-8	WASHER, 1/4 plain	19
3	60803	STRAP, Lifting	1
4	LW-25-1.75	BOLT, 1/4-20 x 1-3/4 long, hex. hd.	1
5	LW-25-1.13	BOLT, 1/4-20 x 1-1/8 long, hex. hd.	3
6	STD-160	WASHER, 1/4 lock, internal teeth	12
7	STD-1411	NUT, 1/4-20 plain	9
8	LW-25S1.50	BOLT, 1/4-20 x 1-1/2 long, hex. hd., dr. end	3
9	STD-8	WASHER, 1/4 plain (Max. 9)	AR
10	STD-1409	NUT, 1/4-20 slotted shear	3
11	STD-33	WASHER, 3/8 plain, 1/16 thick	3
12	AN960-616L	WASHER, 3/8 plain, 1/32 thick	1
13	STD-872	NUT, 3/8-24 slotted	1
14	AN6-34A	BOLT, 3/8-24 x 3-37/64 long, hex. hd.	2
15	STD-33	WASHER, 3/8 plain	2
16	STD-678	WASHER, 3/8 lock, internal teeth	2
17	STD-596	NUT, 3/8-24 plain	2
18	76220	STUD, 1/2-20 x 10-45/64 long	4

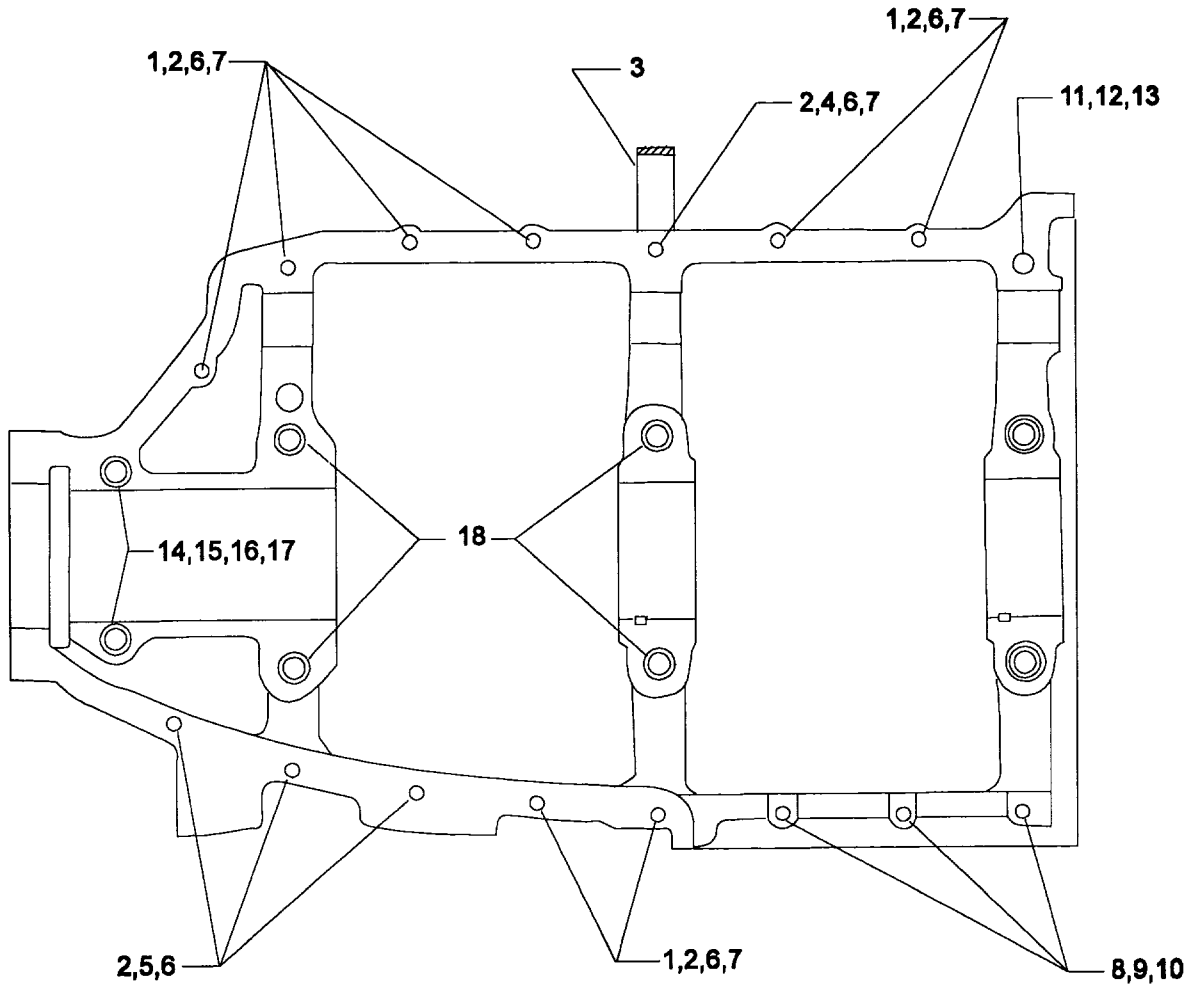


Figure 5. CRANKCASE ATTACHING PARTS

SECTION

2

**ACCESSORY
HOUSING AND
RELATED PARTS**

**ACCESSORY HOUSING AND RELATED PARTS
ACCESSORY HOUSING ASSEMBLY**

FIG. REF. 6	PART NUMBER	DESCRIPTION	QTY. PER ASSY.
1	73818	GASKET, Accessory housing	1
2	21A21533-02	HOUSING ASSY., Accessory (C4F)	1
	21A21533-04	HOUSING ASSY., Accessory (C4P)	1
3	31C-12	STUD, 5/16-18 x 1-1/2 long	6
4	75888	STUD, 1/4-20 x 1-1/4 long (C4F)	6
5	31C-19	STUD, 5/16-18 x 2-3/8 long	2
6	25C-22	STUD, 1/4-20 x 2-3/4 long	4
7	31CD-17	STUD, 5/16-18 x 2-1/8 long, drilled	3
8	1102	PLUG, 1/8-27 NPT, Allen head	4
9	STD-784	PLUG, 3/8-18 NPT, Allen head	1

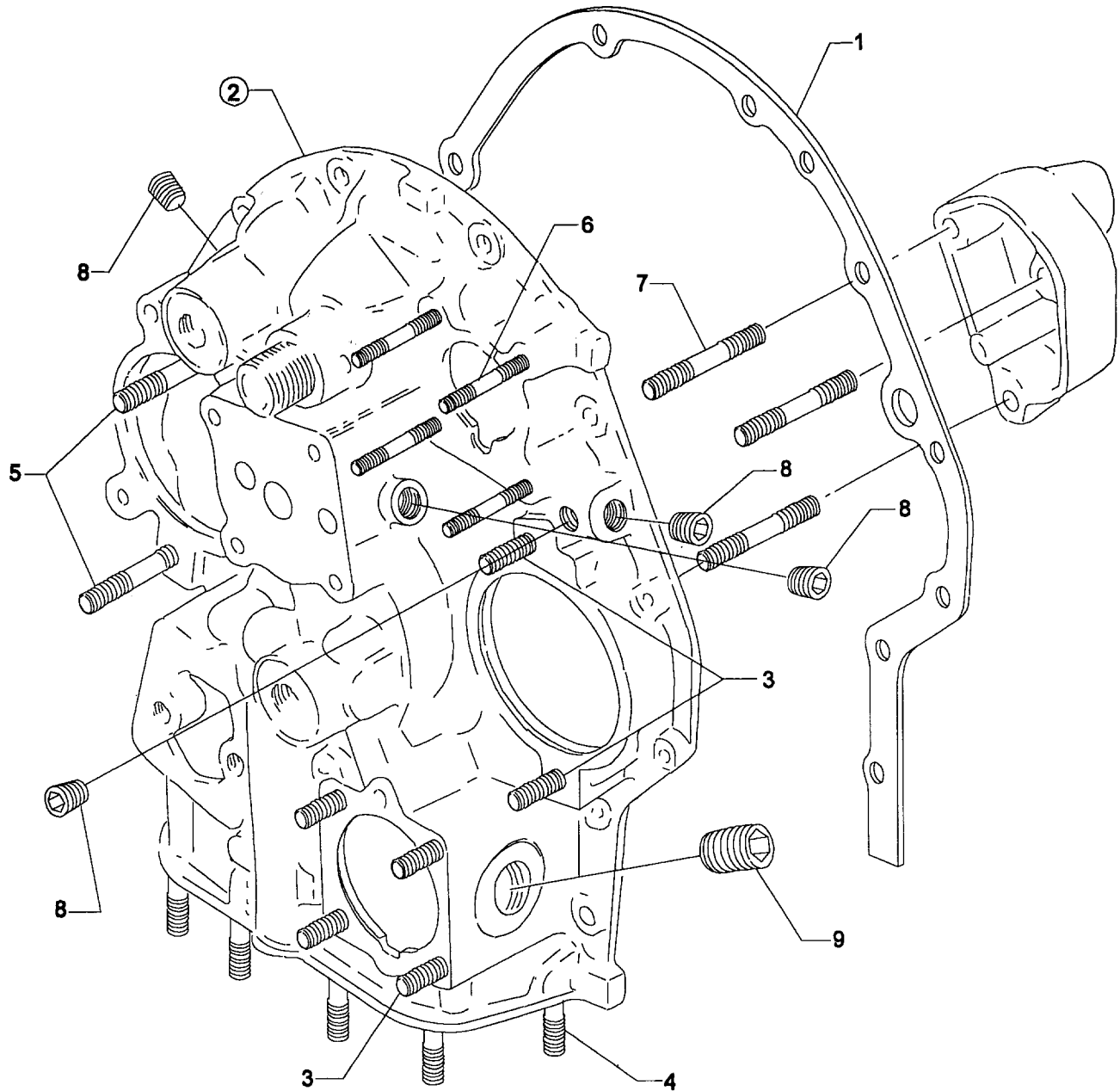


Figure 6. ACCESSORY HOUSING ASSEMBLY

**ACCESSORY HOUSING AND RELATED PARTS
OIL PUMP AND ACCESSORY HOUSING ATTACHING PARTS**

FIG. REF. 7	PART NUMBER	DESCRIPTION	QTY. PER ASSY.
1	78531	BODY, Oil pump	1
2	05K19423-S*	OIL PUMP IMPELLER KIT	1
3	61174	SHAFT, Oil pump drive	1
4	STD-35	WASHER, 5/16 plain	3
5	STD-1420	NUT, 5/16-18 slotted	3
6	LW-14260	SEAL, Tachometer drive, oil	1
7	STD-8	WASHER, 1/4 plain	12
8	STD-160	WASHER, 1/4 lock, internal teeth	12
9	LW-25-0.94	BOLT, 1/4-20 x 15/16 long, hex. hd.	9
10	LW-25-1.13	BOLT, 1/4-20 x 1-1/8 long, hex. hd.	1
11	LW-25-1.50	BOLT, 1/4-20 x 1-1/2 long, hex. hd.	2

* See latest edition of Textron Lycoming Service Bulletin No. 524.

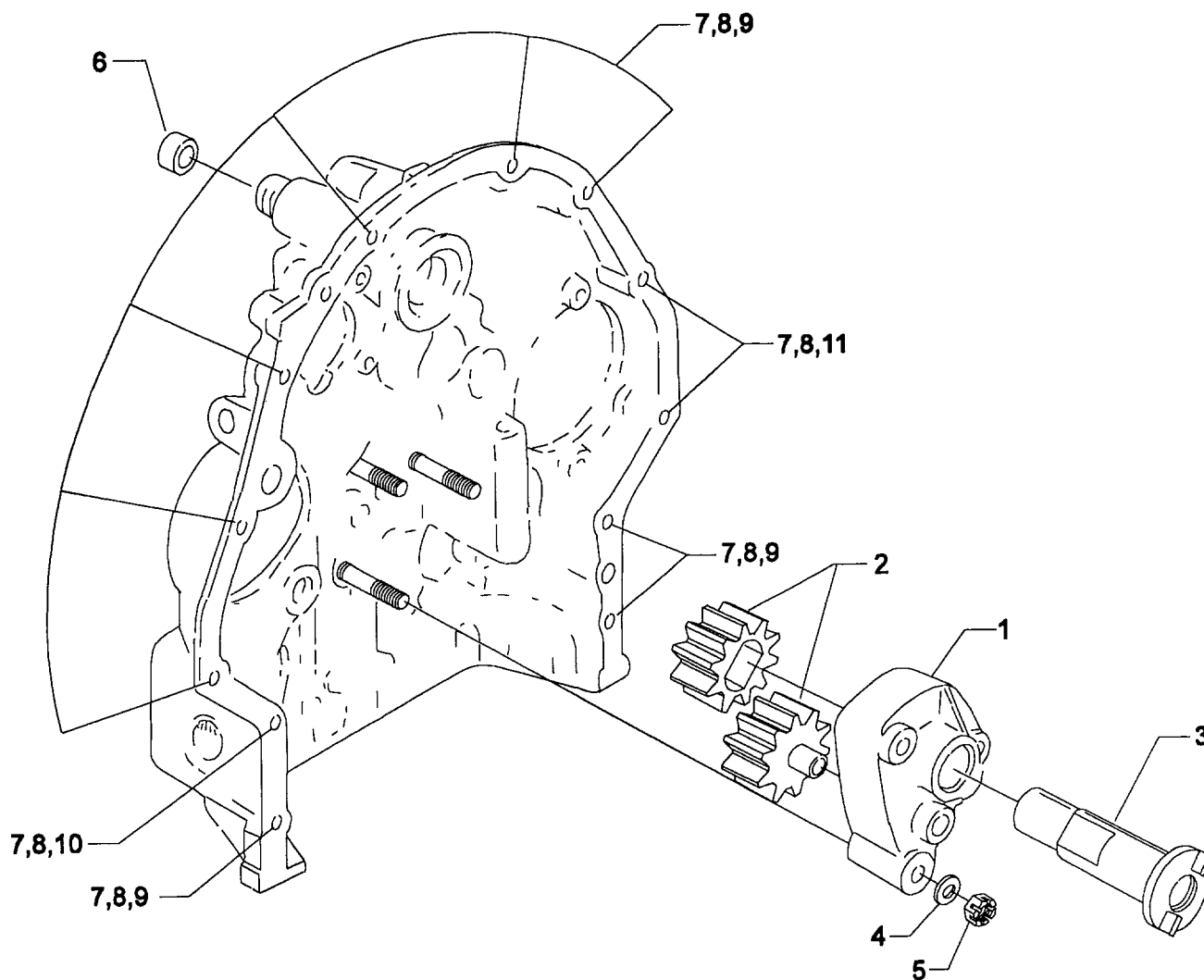


Figure 7. OIL PUMP AND ACCESSORY HOUSING ATTACHING PARTS

**ACCESSORY HOUSING AND RELATED PARTS
FUEL PUMP AND PROPELLER GOVERNOR DRIVE COVER**

FIG. REF. 8	PART NUMBER	DESCRIPTION	QTY. PER ASSY.
1	60096	GASKET, Fuel pump	1
2	LW-16335	FUEL PUMP, Dual diaphragm (6441452) (C4F)	1
3	65098	COVER, Fuel pump (C4P)	1
4	STD-33	WASHER, 3/8 plain	2
5	STD-1882	SCREW, 3/8-16 x 1-9/32 long, socket hd., dr. end	2
6	STD-678	WASHER, Lock	2
7	LW-38-0.75	BOLT, 3/8-16 x 3/4 long, hex. hd.	2
8	69551	GASKET, Accessory drive adapter	1
9	69106	COVER, Governor drive adapter pad	1
10	STD-35	WASHER, 5/16 plain	4
11	STD-475	WASHER, 5/16 lock, internal teeth	4
12	STD-1410	NUT, 5/16-18 plain	4
13	STD-783 *	PLUG, 1/4-18 NPT, Allen head	1

* Used when no propeller governor oil line is installed.

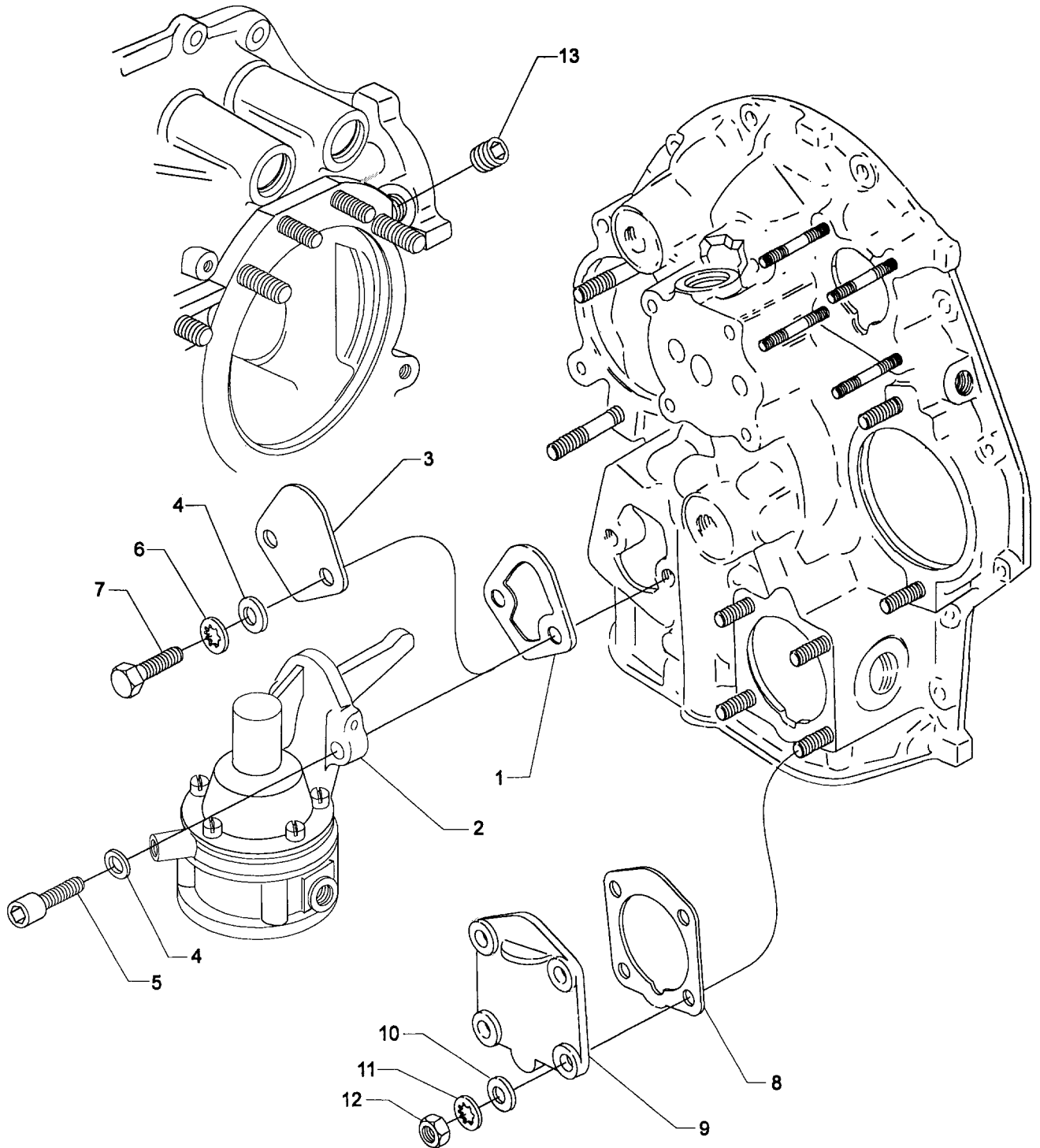


Figure 8. FUEL PUMP ASSEMBLY AND PROPELLER GOVERNOR DRIVE COVER

**ACCESSORY HOUSING AND RELATED PARTS
VACUUM PUMP DRIVE AND COVER**

FIG. REF. 9	PART NUMBER	DESCRIPTION	QTY. PER ASSY.
1	61183	GASKET, Accessory adapter	1
2	61098	ADAPTER ASSY., Vacuum pump	1
3	STD-1774	PIN, 1/8 dia. x 1/4 long	1
4	06A19956	OIL SEAL, 7/8 I.D. x 1-1/2 O.D. x 5/16 wide	1
5	72970	GEAR ASSY., Vacuum pump driven	1
6	71596	WASHER, Accessory driven gear	1
7	8313	GASKET, Vacuum pump	1
8	60430	COVER, Vacuum pump	1
9	STD-8	WASHER, 1/4 plain	4
10	STD-160	WASHER, 1/4 lock, internal teeth	4
11	STD-1411	NUT, 1/4-20 plain	4

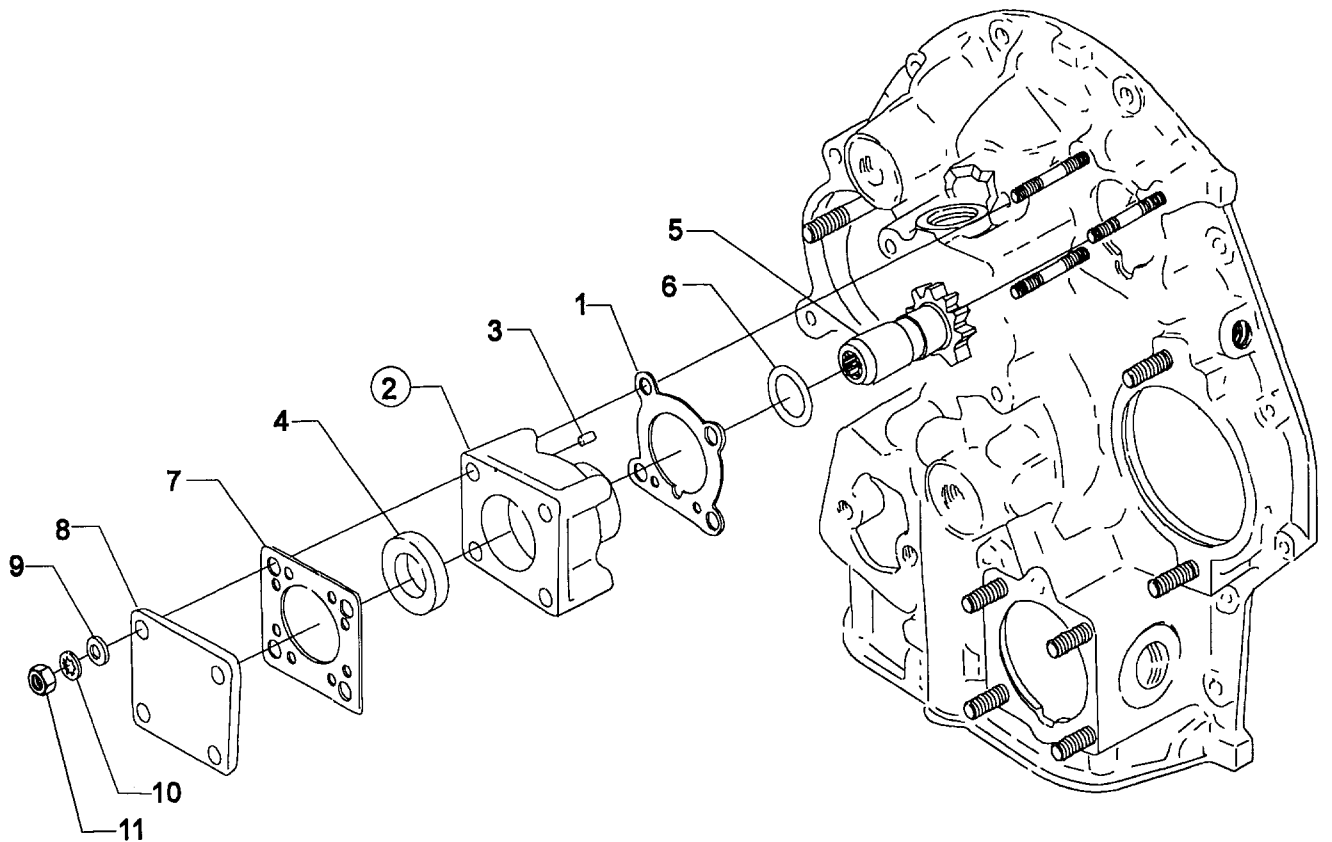


Figure 9. VACUUM PUMP DRIVE AND COVER

ACCESSORY HOUSING AND RELATED PARTS
OIL FILTER ASSEMBLY, OIL COOLER BYPASS VALVE AND BREATHER FITTING

FIG. REF. 10	PART NUMBER	DESCRIPTION	QTY. PER ASSY.
1	LW-12795	GASKET, Oil filter adapter (C4F)	1
2	77852	OIL FILTER BASE ASSEMBLY (C4F)	1
3	54D19625	OIL FILTER, Textron (short w/ stud) (C4F)	1
4	STD-8	WASHER, 1/4 plain (C4F)	4
5	STD-160	WASHER, 1/4 lock, internal teeth (C4F)	1
6	STD-1411	NUT, 1/4-20 plain (C4F)	1
7	STD-1856	SCREW, 1/4-20 x 1.00 long hex. hd. (C4F)	3
8	53E22144	VALVE ASSY., Temperature control oil cooler bypass (C4F)	1
9	76510	GASKET, Valve assembly (C4F)	1
10	62817	SCREEN ASSY., Oil pressure (C4P)	1
11	61173	GASKET, Oil pressure housing (C4P)	1
12	69510	HOUSING, Thermostatic valve & oil pressure screen (C4P)	1
13	06E19769-0.63	GASKET, 7/8 O.D. x 5/8 I.D. x 3/32 annular (C4P)	1
14	STD-8	WASHER, 1/4 plain (C4P)	4
15	STD-1856	SCREW, 1/4-20 x 1.00 long, hex. hd. (C4P)	4
16	53E22144	VALVE ASSY., Temperature control oil cooler bypass (C4P)	1
17	76510	GASKET, Valve assembly (C4P)	1
18	25C-10	STUD, 1/4-20 x 1-1/4 long (C4F)	1
19	06E19769-0.63	GASKET, 7/8 O.D. x 5/8 I.D. x 3/32 annular	1
20	62417	PLUG, Oil cooler bypass	1
21	STD-784	PLUG, 3/8-18 NPT, Allen head	2
22	71140	FITTING, Breather	1

NOTE

Reference latest edition of Textron Lycoming SSP-885 for oil filter kits and replacement filters.

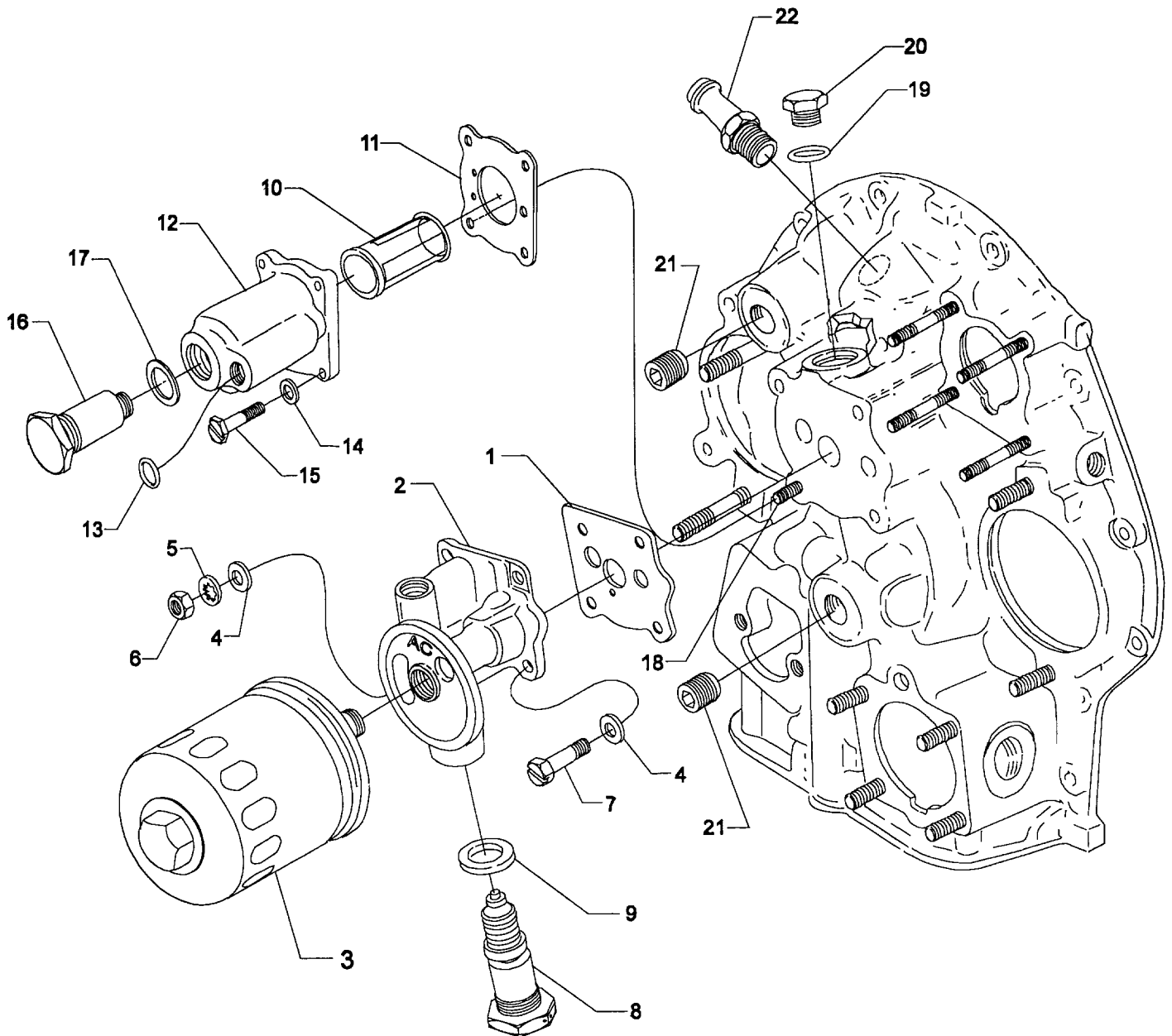


Figure 10. OIL FILTER ASSEMBLY, OIL COOLER BYPASS VALVE AND BREATHER FITTING

SECTION

3

**CYLINDER, PISTON
AND VALVE TRAIN**

**CYLINDER, PISTON AND VALVE TRAIN
CONNECTING RODS, PISTONS AND RING ASSEMBLIES**

FIG. REF. 11	PART NUMBER	DESCRIPTION	QTY. PER ASSY.
1	LW-11750-S	CONNECTING ROD ASSEMBLY	4
2	LW-13923	BUSHING, Connecting rod, upper	4
3	75061	BOLT, Connecting rod	8
4	LW-12186	NUT, Connecting rod bolt	8
5	LW-13521	BEARING, Connecting rod	8
6	75089	PISTON, Compression ratio, 8.50:1	4
7	LW-14077*	PIN, Piston	4
8	LW-11775*	PLUG, Piston pin (piloted)	8
9	74241	RING, Piston compression	8
10	14H21950	RING, Piston, oil regulating, expander type	4

* See latest edition of Textron Lycoming Service Instruction No. 1267.

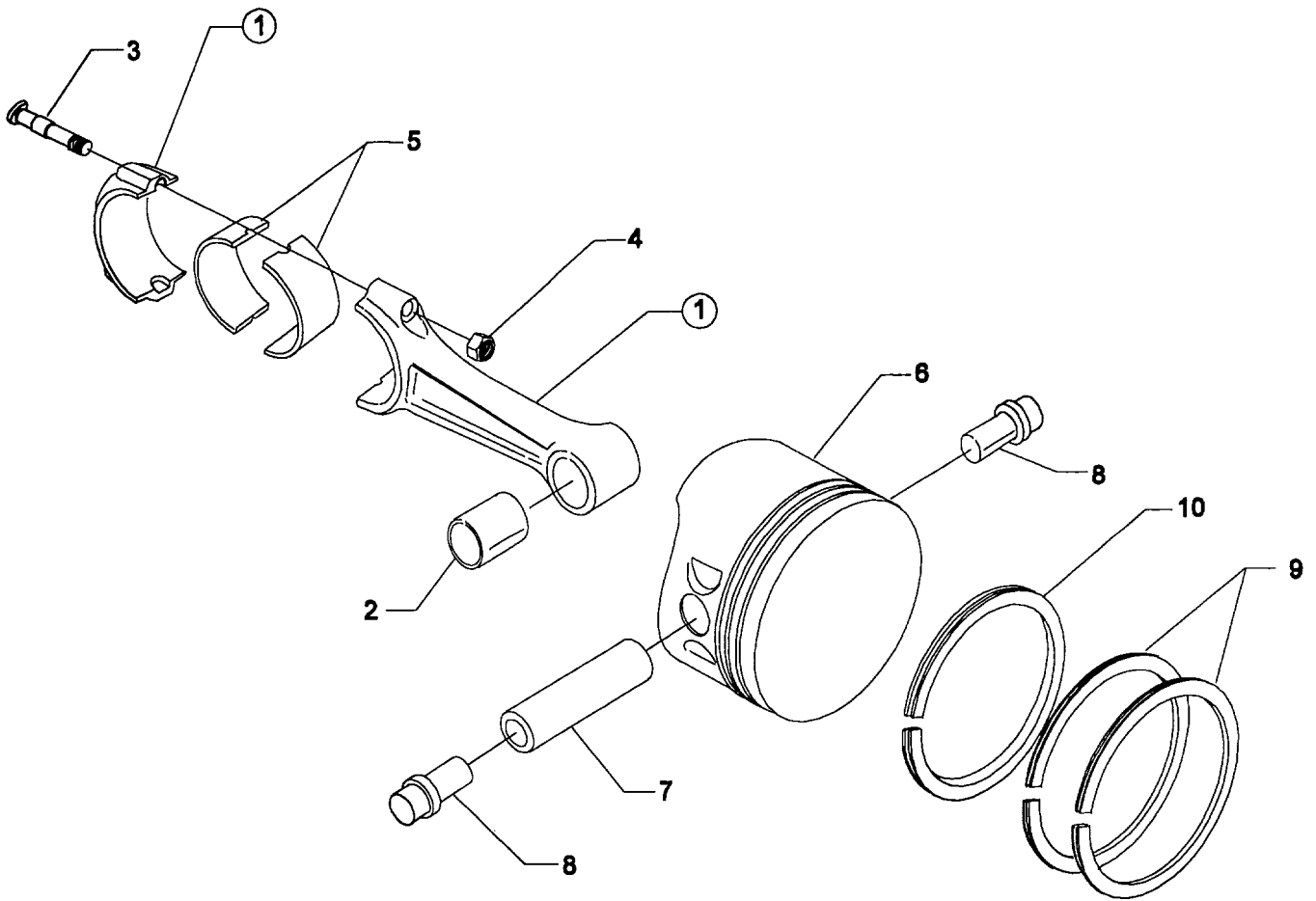


Figure 11. CONNECTING RODS, PISTONS AND RING ASSEMBLIES

**CYLINDER, PISTON AND VALVE TRAIN
CYLINDER ASSEMBLY**

FIG. REF. 12	PART NUMBER	DESCRIPTION	QTY. PER ASSY.
1	LW-12427	CYLINDER & HEAD ASSY., Nitrided	4
2	72057	SEAT, Intake valve	4
3	72058	SEAT, Exhaust valve	4
4	61681*	GUIDE, Valve, intake, flanged	4
5	74230*	GUIDE, Valve, exhaust, flanged	4
6	66796	INSERT, Spark plug, 18-1.5 MM	8
7	STD-1353	INSERT, No. 10-24 Heli-coil x 3/8 long	4
8	31C-12	STUD, 5/16-18 x 1-1/2 long	8
9	25C-8	STUD, 1/4-20 x 1.00 long	4
10	MS20823-6D	ELBOW, 45°, 3/8 flared tube	4
11	66610	BUSHING, Rocker shaft	16
12	1102	PLUG, 1/8-27 NPT, Allen head	4
13	LW-19296	GASKET, Exhaust flange (C4F)	4
	77611	GASKET, Exhaust flange (C4P)	4
14	STD-35	WASHER, 5/16 plain	8
15	STD-475	WASHER, 5/16 lock, internal teeth	8
16	STD-1410	NUT, 5/16-18 plain	8
17	1102**	PLUG, 1/8-27 NPT, Allen head	4

* See latest edition of Textron Lycoming Service Instruction No. 1256.

** Additional plugs used when no priming lines are installed.

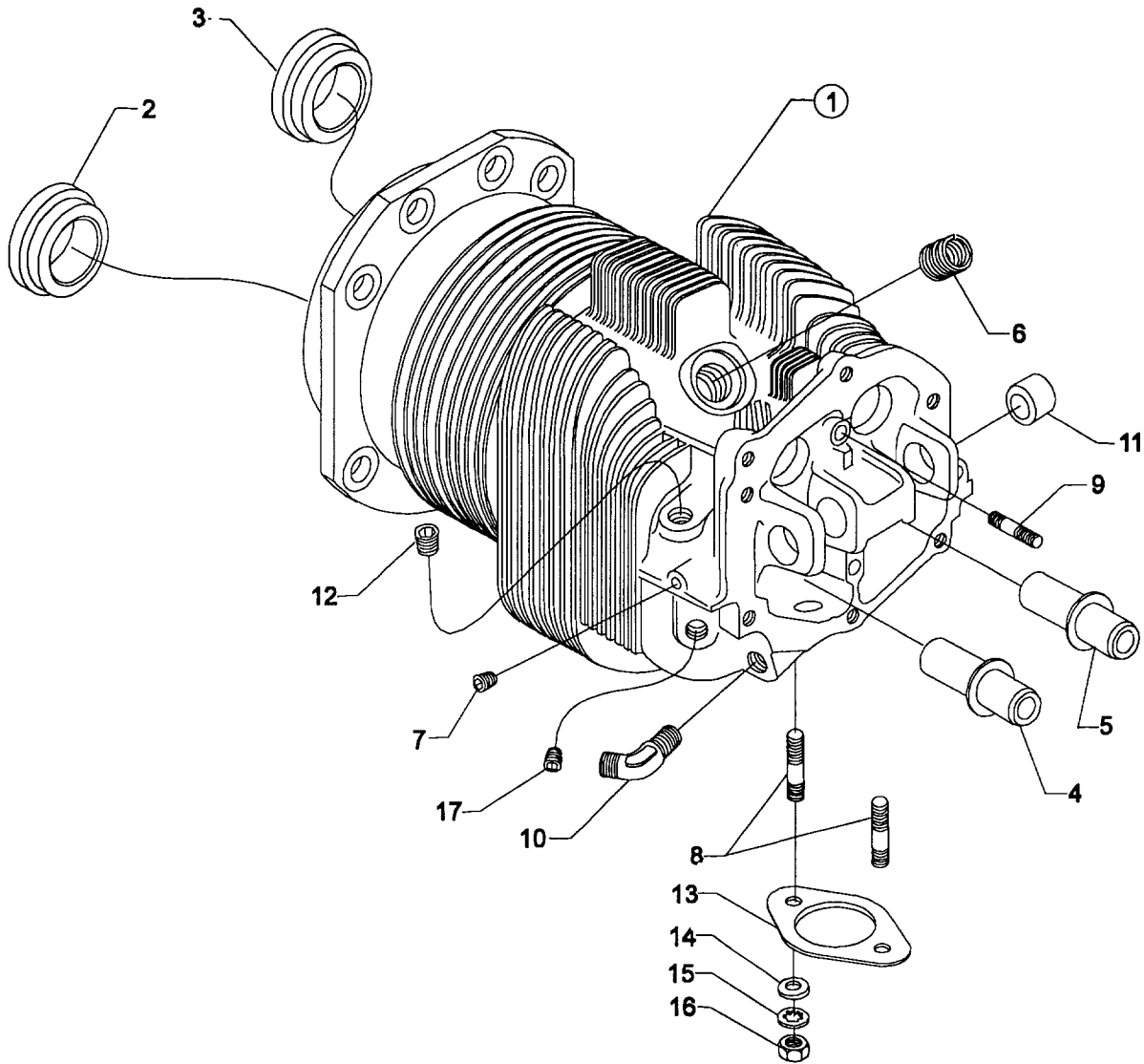


Figure 12. CYLINDER ASSEMBLY

**CYLINDER, PISTON AND VALVE TRAIN
CYLINDER RELATED PARTS**

FIG. REF. 13	PART NUMBER	DESCRIPTION	QTY. PER ASSY.
1	15F19957-34*	ROD ASSY., Push (A total of 8 reqd.)	AR
	15F19957-35*	ROD ASSY., Push (A total of 8 reqd.)	AR
	15F19957-36*	ROD ASSY., Push (A total of 8 reqd.)	AR
	73437*	ROD ASSY., Push (A total of 8 reqd.)	AR
2	17F19357**	ROCKER ASSY., Valve	8
3	74637	BUSHING, Valve rocker	8
4	LW-13790	SHAFT, Valve rocker	4
5	LW-12892	THRUST BUTTON, Rocker shaft	8
6	71481	RING, Oil seal, 3/32 dia. x 4-27/32 I.D.	4
7	74887	SPACER, 33/64 I.D. x 7/8 O.D. x 3/8 thick	2
8	383-B	NUT, 3/8-24 plain	16
9	STD-2090	NUT, 1/2-20 plain	18

* See latest edition of Textron Lycoming Service Instruction No. 1060 for complete push rod application.

** Due to the size of the area where the part number is stamped, the last five digits may be all that is shown (19357).

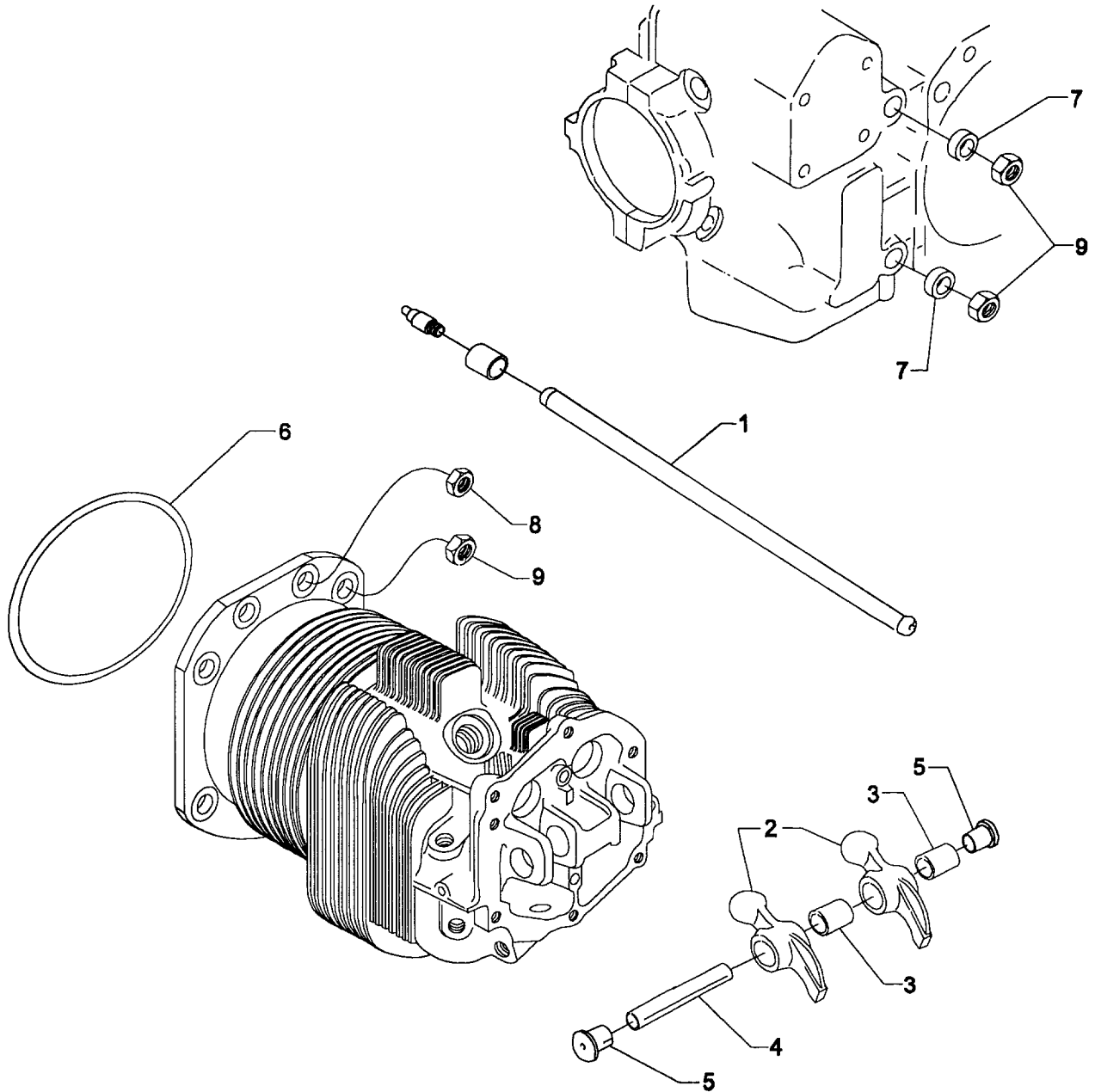


Figure 13. CYLINDER RELATED PARTS

**CYLINDER, PISTON AND VALVE TRAIN
VALVE ASSEMBLY**

FIG. REF. 14	PART NUMBER	DESCRIPTION	QTY. PER ASSY.
1	73938	VALVE, Intake	4
2	LW-19001	VALVE, Exhaust (rotator type)	4
3	LW-11795	SPRING, Valve, inner	8
4	LW-11800	SPRING, Valve, outer	8
5	65441	SEAT, Valve spring, lower intake	4
6	LW-13323	SEAT, Valve spring, lower exhaust	4
7	LW-10077	SEAT, Valve spring, upper intake	4
8	LW-16475	SEAT, Valve spring, upper exhaust (rotator type)	4
9	60009	KEY, Valve, intake	8
10	17C21191	KEY, Valve, exhaust (rotator type)	8
11	17C19386	CAP, Valve stem, exhaust (rotator type)	4
12	78290	PLUNGER ASSY., Hydraulic tappet	8
13	15B21319	SOCKET, Hydraulic tappet	8
14	LW-11485	SHROUD TUBE ASSY., Push rod	8
15	LW-14995	SPRING, Shroud tube	4
16	LW-12272	LOCKPLATE, Shroud tube	4
17	STD-1411	NUT, 1/4-20 plain	4
18	LW-18661	SEAL, Shroud tube	8
19	70310	SEAL, Shroud tube	8

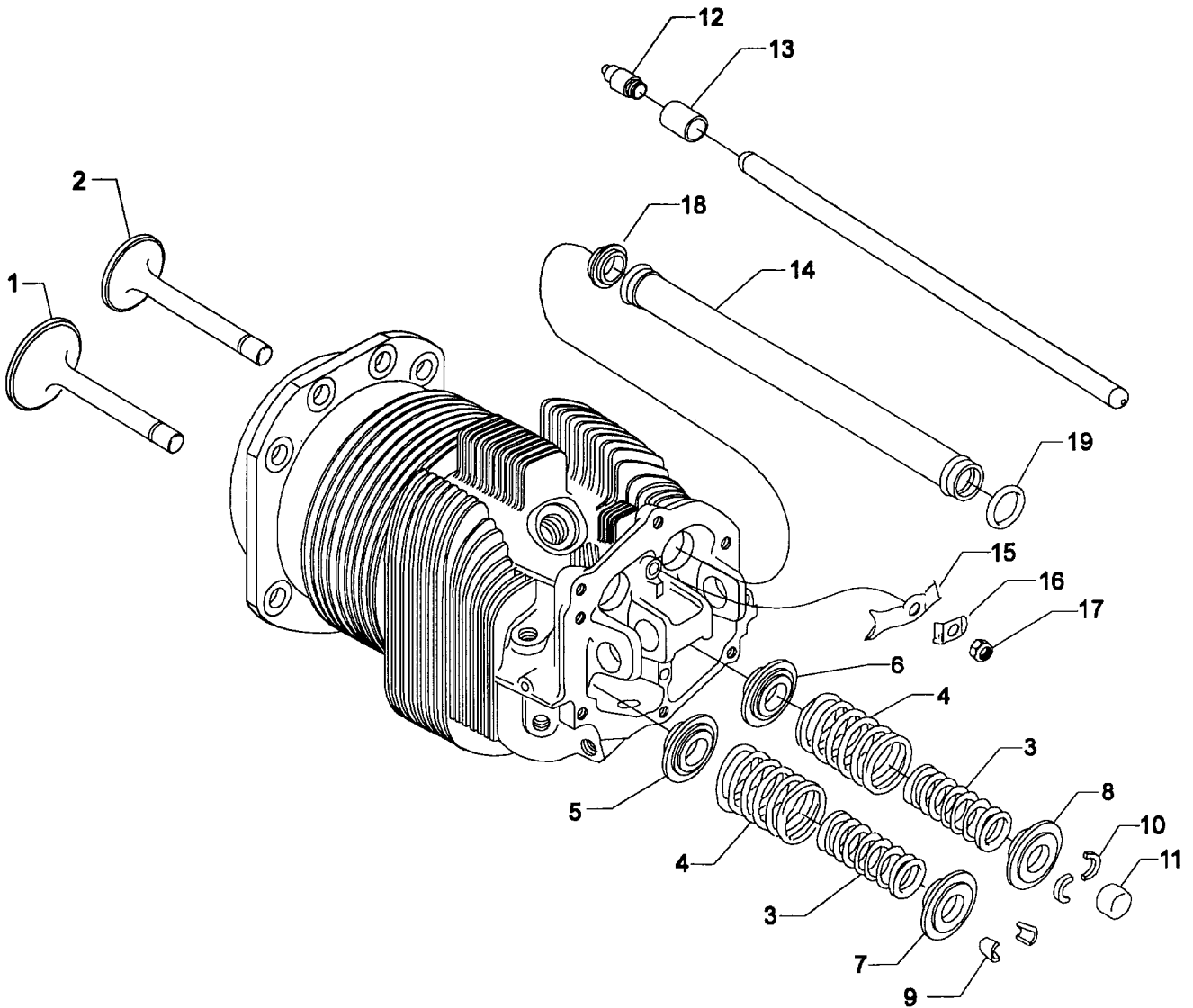


Figure 14. VALVE ASSEMBLY

**CYLINDER, PISTON AND VALVE TRAIN
CYLINDER HEAD DRAIN TUBES, INTERCYLINDER COOLING BAFFLES
AND ROCKER BOX COVERS**

FIG. REF. 15	PART NUMBER	DESCRIPTION	QTY. PER ASSY.
1	STD-684	NIPPLE, Straight, 3/8 I.D. hose	4
2	STD-1821	HOSE, 3/8 I.D. x 2-1/2 long	4
3	LW-15592-5-05	CLAMP, Hose	8
4	68759	TUBE ASSY., Cyl. head oil drain, cyl. no. 1	1
5	68760	TUBE ASSY., Cyl. head oil drain, cyl. no. 2	1
6	68761	TUBE ASSY., Cyl. head oil drain, cyls. no. 3 & 4	2
7	75339	BAFFLE ASSY., Intercylinder	2
8	71611	RETAINER, Intercylinder baffle	2
9	71610	HOOK, Intercylinder baffle retainer	2
10	75906	GASKET, Rocker box cover	4
11	61247	COVER, Rocker box	4
12	STD-1925	SCREW, 1/4-20 x 5/8 long, pan. head, self-locking	24

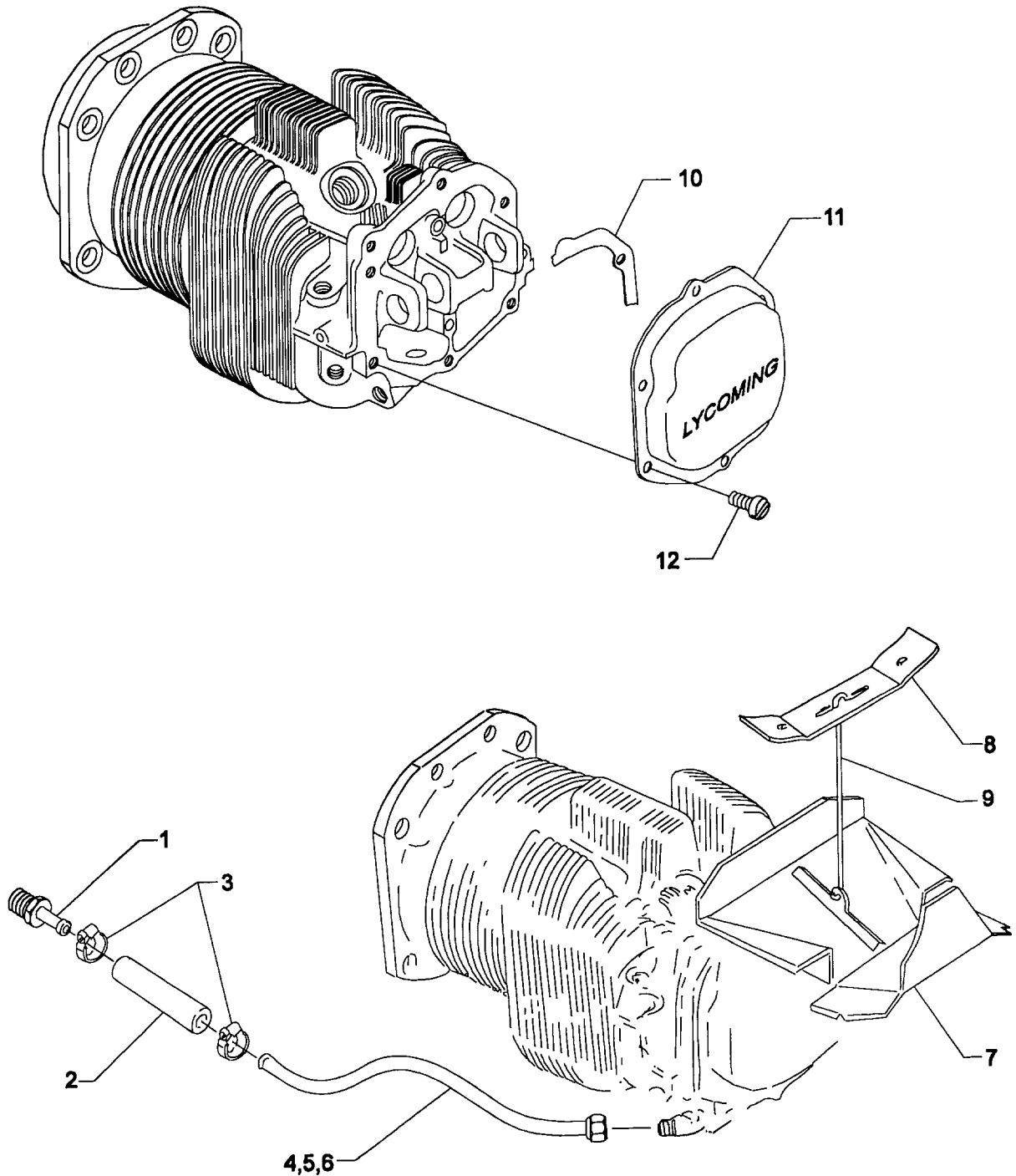


Figure 15. CYLINDER HEAD DRAIN TUBES, INTERCYLINDER COOLING BAFFLES AND ROCKER BOX COVERS

SECTION

4

IGNITION SYSTEM

IGNITION SYSTEM
MAGNETOS, DRIVES, HARNESSES AND SPARK PLUGS

FIG. REF. 16	PART NUMBER	DESCRIPTION	QTY. PER ASSY.
1	61665	GEAR, Magneto, impulse coupling	1
2	STD-713	COTTER PIN, 3/32 dia. x 3/4 long	2
3	68C19622	GEAR, Magneto	1
4	62224	GASKET, Magneto adapter	1
5	LW-12706	ADAPTER, Magneto, impulse coupling	1
6	LW-12681	GASKET, Magneto	2
7	66GP-OSANN	MAGNETO, Right, Slick Model No. 4370	1
	66GC20SFNN	MAGNETO, Left, Slick Model No. 4371	1
8	67P20406	HARNESS ASSY., Right, Slick No. M-2992	1
	67P20407	HARNESS ASSY., Left, Slick No. M-1795	1
9	66M21195	CLAMP, Magneto	4
10	STD-475	WASHER, 5/16 lock, internal teeth	4
11	STD-1410	NUT, 5/16-18 plain	4
12	1182-E7*	SPARK PLUG, Champion REM-38E or Auburn SR87 (C4F)	8
	1182-B7*	SPARK PLUG, Champion REM37BY (C4P)	8
**	01P19762-1-43	BAG, Magneto harness attaching	1

* Item no. 12 spark plugs are used in current production only. Additional spark plugs are available for this engine. See latest edition of Textron Lycoming Service Instruction No. 1042 for complete listing of all approved spark plugs.

** See page 4-2 for a breakdown of individual parts contained in the magneto and harness attaching parts bag. These parts to be attached by customer per engine line drawing included in each bag.

P/N 01P19762-1-43

Part No.	Part Name	Qty.
LW-16266-25-25	CLIP, One wire	2
LW-14060	CLIP, Two wire	3
STD-8	WASHER, 1/4 plain	8
STD-1874	SCREW, 1/4 -20 x 13/16 long	6
76734	ZIP STRAP	8
LW-16266-25-50	CLAMP, Four wire	1
STD-696	WASHER, 1/4 plain (thin)	4
STD-1916	SCREW, 1/4-20 x 1-1/8 long	3
LW-M-2375	PLATE, Spark plug cable	2

ATTACHING HARDWARE

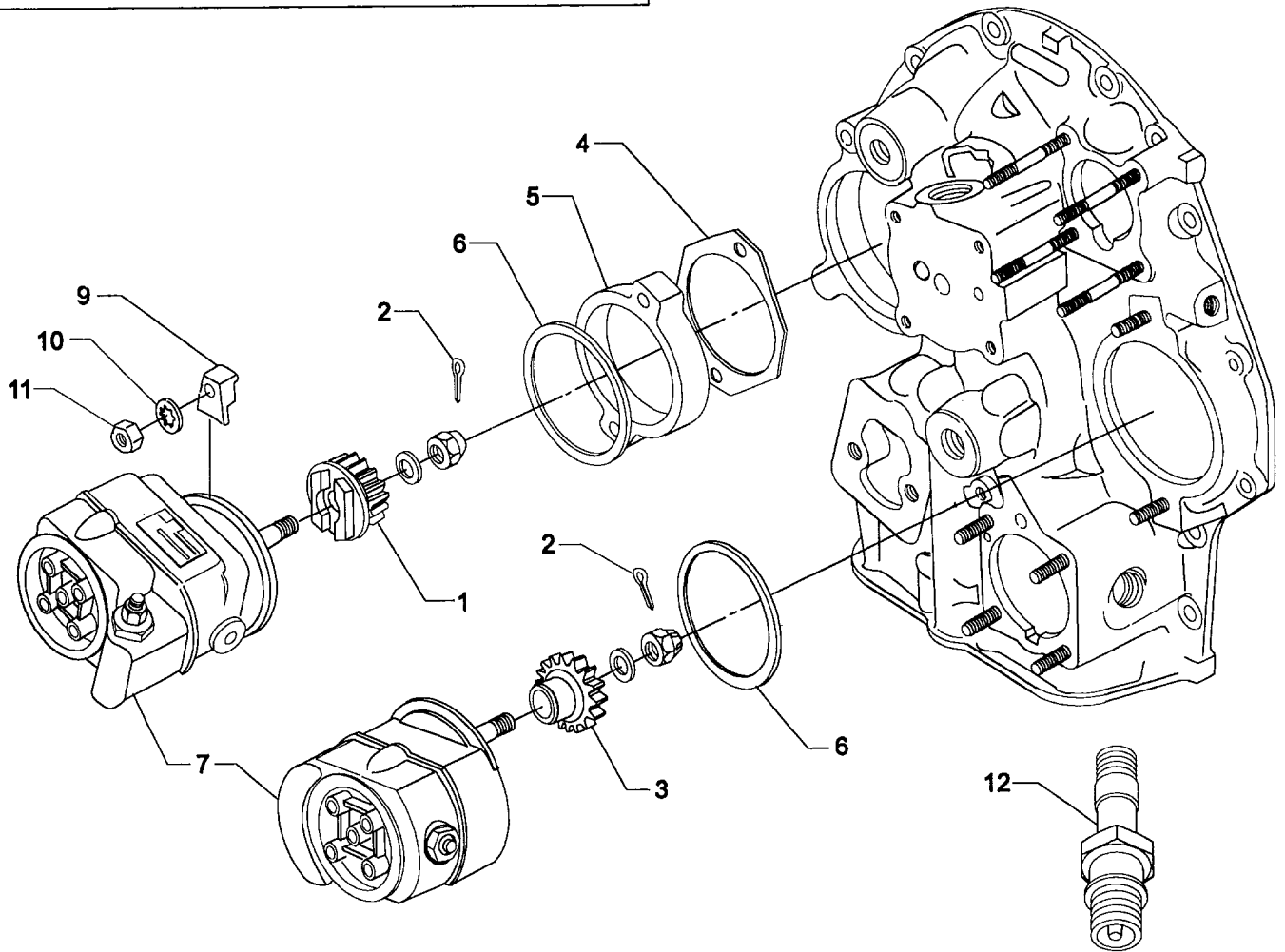
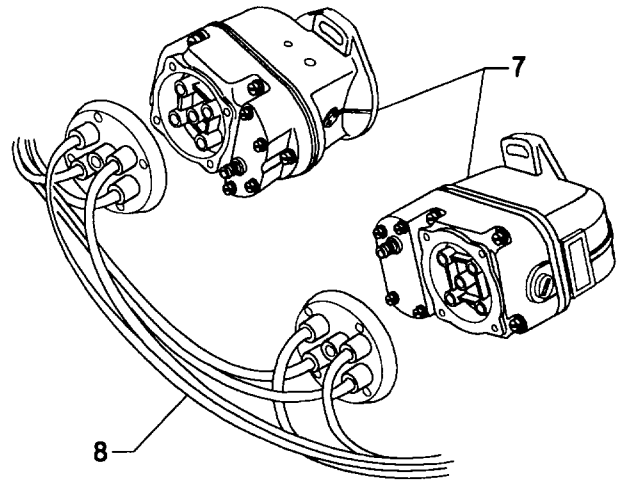


Figure 16. MAGNETOS, DRIVES, HARNESSES AND SPARK PLUGS

SECTION

5

ELECTRICAL SYSTEM

**ELECTRICAL SYSTEM
PRESTOLITE STARTER AND ATTACHING PARTS**

FIG. REF. 17	PART NUMBER	DESCRIPTION	QTY. PER ASSY.
1	LW-15571	STARTER, 12 volt, 12/14 pitch pinion (MZ-4222)	1
2	STD-35	WASHER, 5/16 plain	4
3	STD-475	WASHER, 5/16 lock, internal teeth	4
4	LW-31-1.16	BOLT, 5/16-18 x 1-5/32 long, hex. hd.	1
5	STD-1410	NUT, 5/16-18 plain	3

NOTE

See latest edition of Textron Lycoming Service Instruction No. 1154 for complete listing of FAA approved starters, generators, alternators, regulators and relays.

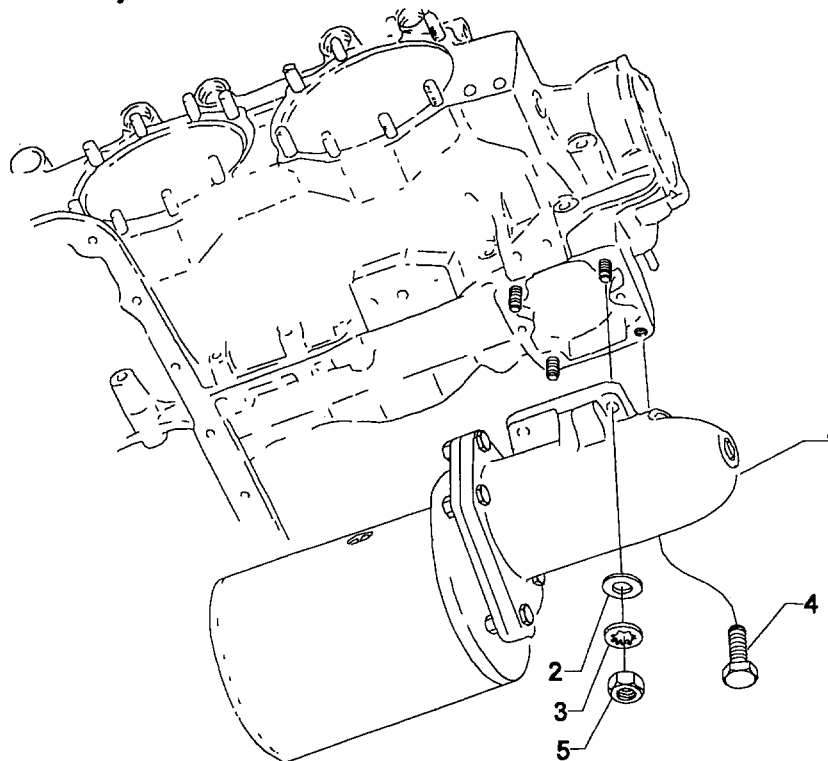


Figure 17. PRESTOLITE STARTER AND ATTACHING PARTS

ELECTRICAL SYSTEM
SKY-TEC STARTER AND ATTACHING PARTS

FIG. REF. 18	PART NUMBER	DESCRIPTION	QTY. PER ASSY.
1	31A22110	STARTER, Sky-Tec (149-12HT)	1
2	STD-35	WASHER, 5/16 plain	4
3	STD-475	WASHER, 5/16 lock, internal teeth	4
4	LW-31-1.09	BOLT, 5/16-18 x 1-3/32 long, hex. hd.	1
5	STD-1410	NUT, 5/16-18 plain	3

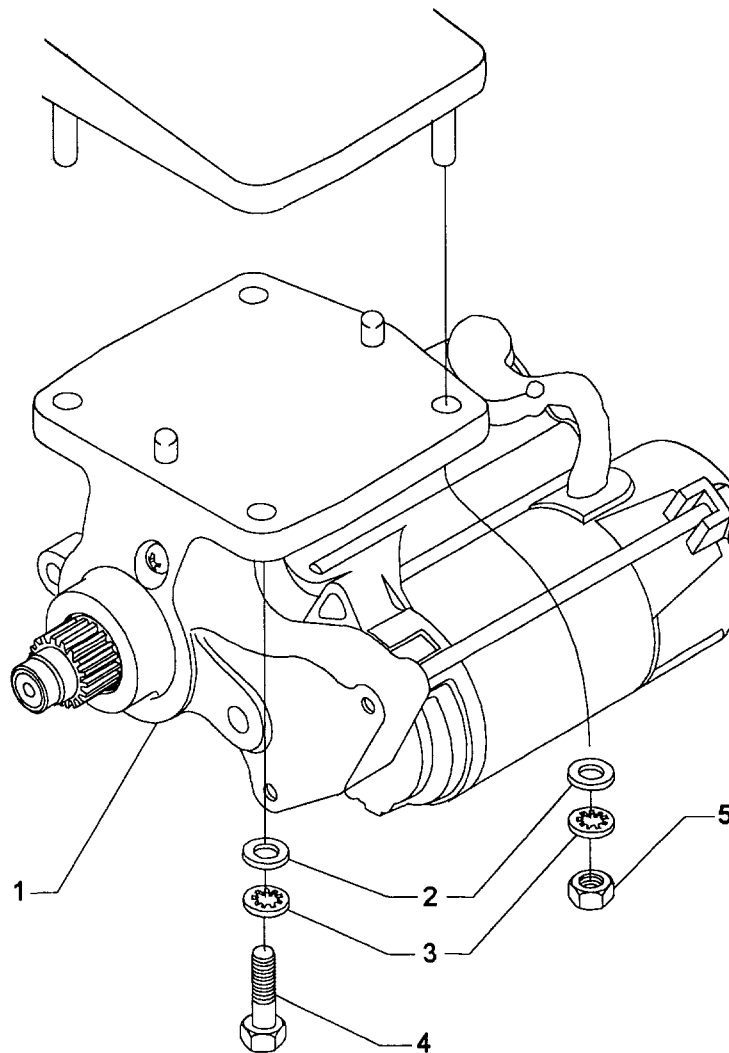


Figure 18. SKY-TEC STARTER AND ATTACHING PARTS

**ELECTRICAL SYSTEM
ALTERNATOR ASSEMBLY AND BELTS**

FIG. REF. 19	PART NUMBER	DESCRIPTION	QTY. PER ASSY.
1	LW-14371	ALTERNATOR ASSY., 12 volt, 60 amp. (C4F)	1
2	LW-14313	ALTERNATOR, (ALY-8420-LS)	1
3	36B19484	PULLEY, Alternator	1
4	37A19773-376	BELT, Alternator drive, 3/8 wide (C4F)	1
	37B19774-325	BELT, Generator drive	1

NOTE

See latest edition of Textron Lycoming Service Instruction No. 1154 for complete listing of FAA approved starters, generators, alternators, regulators and relays.

O-360-C4P MODEL ENGINES USE GENERATOR
NOT SOLD BY TEXTRON LYCOMING.

ELECTRICAL SYSTEM
ALTERNATOR MOUNTING AND ATTACHING PARTS (C4F)

FIG. REF. 20	PART NUMBER	DESCRIPTION	QTY. PER ASSY.
1	07A19474	BRACKET, Alternator	1
2	73383	LOCKPLATE, 5/16 bolt x 1.00 spacing	1
3	LW-31-0.94	BOLT, 5/16-18 x 15/16 long, hex. hd.	2
4	75380	LINK, Alternator adjusting	1
5	STD-35	WASHER, 5/16 plain	1
6	LW-31H0.75	BOLT, 5/16-18 x 3/4 long, hex. hd. dr.	1
7	STD-1727	WASHER, Plain, 3/4 O.D. x 11/32 I.D. x 1/8 thick	1
8	LW-31H0.75	BOLT, 5/16-18 x 3/4 long, hex. hd. dr.	1
9	74323	STRUT, Alternator support	1
10	LW-31H0.75	BOLT, 5/16-18 x 3/4 long, hex. hd. dr.	1
11	STD-690	WASHER, 13/16 O.D. x 25/64 I.D. x 1/16 thick	1
12	AN6-14	BOLT, 3/8-24 x 1-37/64 long, hex. hd., drilled end	1
13	STD-690	WASHER, 13/16 O.D. x 25/64 I.D. x 1/16 thick	1
14	STD-872	NUT, 3/8-24 slotted	1
15	STD-713	COTTER PIN, 3/32 dia. x 3/4 long	1
16	AN6-16	BOLT, 3/8-24 x 1-53/64 long, hex. hd., drilled end	1
17	76534	SHIM, 1-1/8 O.D. x 13/32 I.D. x .005 thick	AR
18	STD-690	WASHER, 13/16 O.D. x 25/64 I.D. x 1/16 thick	AR
19	STD-872	NUT, 3/8-24 slotted	1
20	STD-713	COTTER PIN, 3/32 dia. x 3/4 long	1

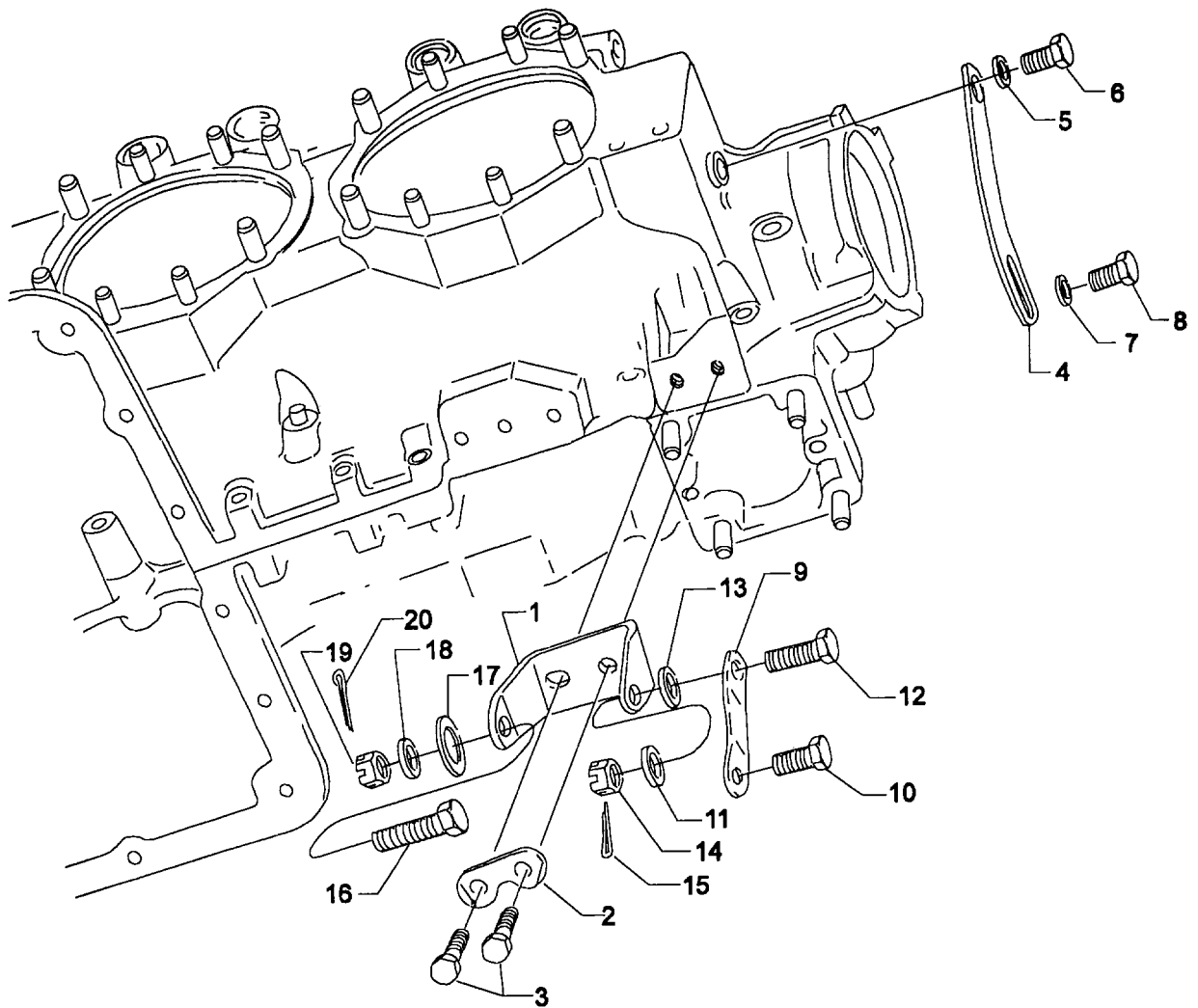


Figure 20. ALTERNATOR MOUNTING AND ATTACHING PARTS (C4F)

**ELECTRICAL SYSTEM
GENERATOR MOUNTING AND ATTACHING PARTS (C4P)**

FIG. REF. 21	PART NUMBER	DESCRIPTION	QTY. PER ASSY.
1	70419	BRACKET, Generator	2
2	73383	LOCKPLATE, 5/16 bolt x 1.00 spacing	2
3	LW-31-0.94	BOLT, 5/16-18 x 15/16 long, hex. hd.	4
4	76028	LINK, Alternator adjusting	1
5	STD-35	WASHER, 5/16 plain	1
6	LW-31H0.75	BOLT, 5/16-18 x 3/4 long, hex. hd. dr.	1
7	STD-1727	WASHER, Plain, 3/4 O.D. x 11/32 I.D. x 1/8 thick	1
8	LW-31H0.75	BOLT, 5/16-18 x 3/4 long, hex. hd. dr.	1
9	77718	STRUT, Generator support	1
10	LW-31H0.75	BOLT, 5/16-18 x 3/4 long, hex. hd. dr.	1
11	LW-31S1.16	BOLT, 5/16-18 x 1-5/32 long, dr. end	1
12	LW-31S1.28	BOLT, 5/16-18 x 1-9/32 long, dr. end	1
13	STD-35	WASHER, 5/16 plain	AR
14	STD-1420	NUT, 5/16-18 slotted	2
15	STD-68	COTTER PIN, 1/16 dia. x 1/2 long	2

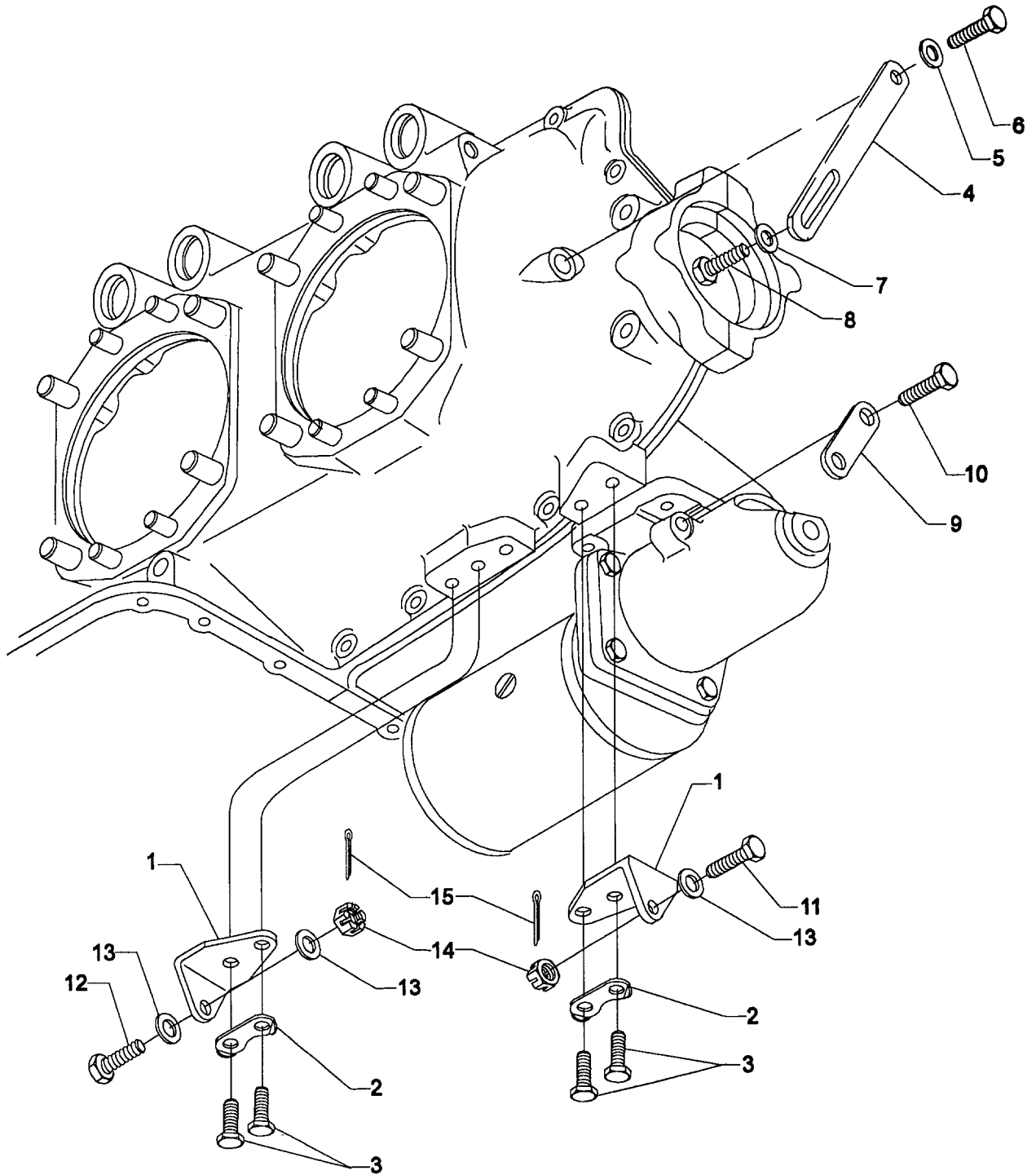


Figure 21. GENERATOR MOUNTING AND ATTACHING PARTS (C4P)

SECTION

6

**OIL SUMP AND
INDUCTION SYSTEM**

**OIL SUMP AND INDUCTION SYSTEM
OIL SUMP ASSEMBLY AND OIL SUCTION SCREEN (C4F)**

FIG. REF. 22	PART NUMBER	DESCRIPTION	QTY. PER ASSY.
1	LW-13353	GASKET, Oil sump	1
2	77159	SUMP ASSEMBLY, Oil	1
3	69602	CONNECTION, Intake pipe	4
4	61400	STUD, 1/4-20 x 1-3/16 long	4
5	31C-14	STUD, 5/16-18 x 1-3/4 long	4
6	1102	PLUG, 1/8 pipe	2
7	STD-551	PLUG, 1/2-14 NPT, Sq. hd., drilled	2
8	STD-8	WASHER, 1/4 plain	28
9	STD-160	WASHER, 1/4 lock, internal teeth	20
10	LW-25-0.94	BOLT, 1/4-20 x 15/16 long, hex. hd.	8
11	LW-25-1.13	BOLT, 1/4-20 x 1-1/8 long, hex. hd.	2
12	STD-1411	NUT, 1/4-20 plain	18
13	70484	SCREEN, Oil suction	1
14	06E19769-1.00	GASKET, 1.00 I.D. x 1-1/4 O.D. x 3/32 annular	1
15	LW-12545	PLUG, 5/8 hex. hd. x 1.00-20 thread	1

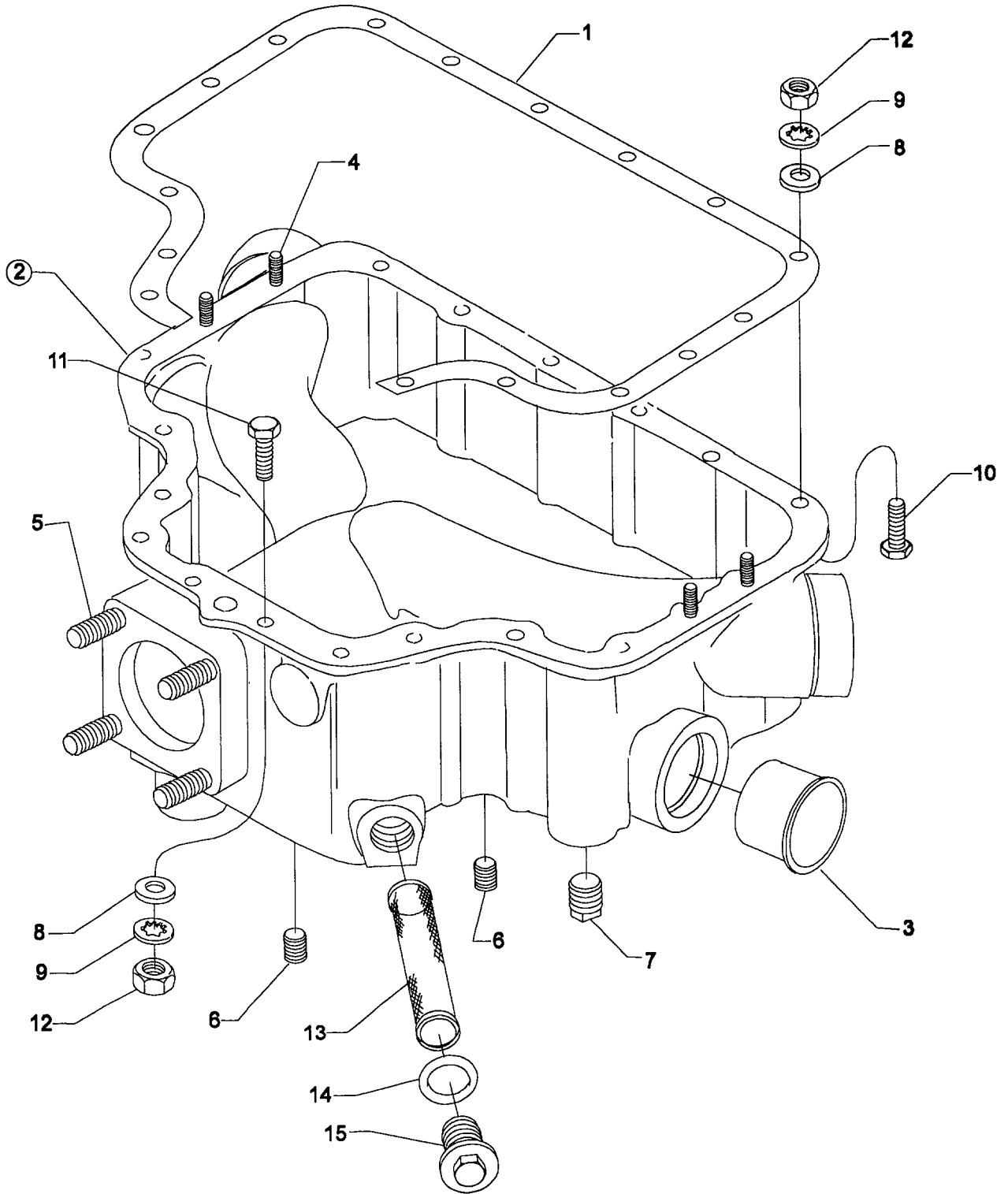


Figure 22. OIL SUMP ASSEMBLY AND OIL SUCTION SCREEN (C4F)

**OIL SUMP AND INDUCTION SYSTEM
OIL SUMP ASSEMBLY AND OIL SUCTION SCREEN (C4P)**

FIG. REF. 23	PART NUMBER	DESCRIPTION	QTY. PER ASSY.
1	LW-13353	GASKET, Oil sump	1
2	78915	SUMP ASSEMBLY, Oil	1
3	78914	CONNECTION, Intake pipe	4
4	61400	STUD, 1/4-20 x 1-3/16 long	4
5	31C-15	STUD, 5/16-18 x 1-7/8 long	4
6	STD-91	PLUG, 1/2-14 NPT, Allen	1
7	STD-551	PLUG, 1/2-14 NPT, Sq. hd., drilled	2
8	STD-8	WASHER, 1/4 plain	28
9	STD-160	WASHER, 1/4 lock, internal teeth	20
10	LW-25-0.94	BOLT, 1/4-20 x 15/16 long, hex. hd.	14
11	LW-25-1.13	BOLT, 1/4-20 x 1-1/8 long, hex. hd.	2
12	STD-1411	NUT, 1/4-20 plain	12
13	STD-2229	PLUG, 1/2 NPT, Allen head	2
14	70484	SCREEN, Oil suction	1
15	06E19769-1.00	GASKET, 1.00 I.D. x 1-1/4 O.D. x 3/32 annular	1
16	LW-12545	PLUG, 5/8 hex. hd. x 1.00-20 thread	1

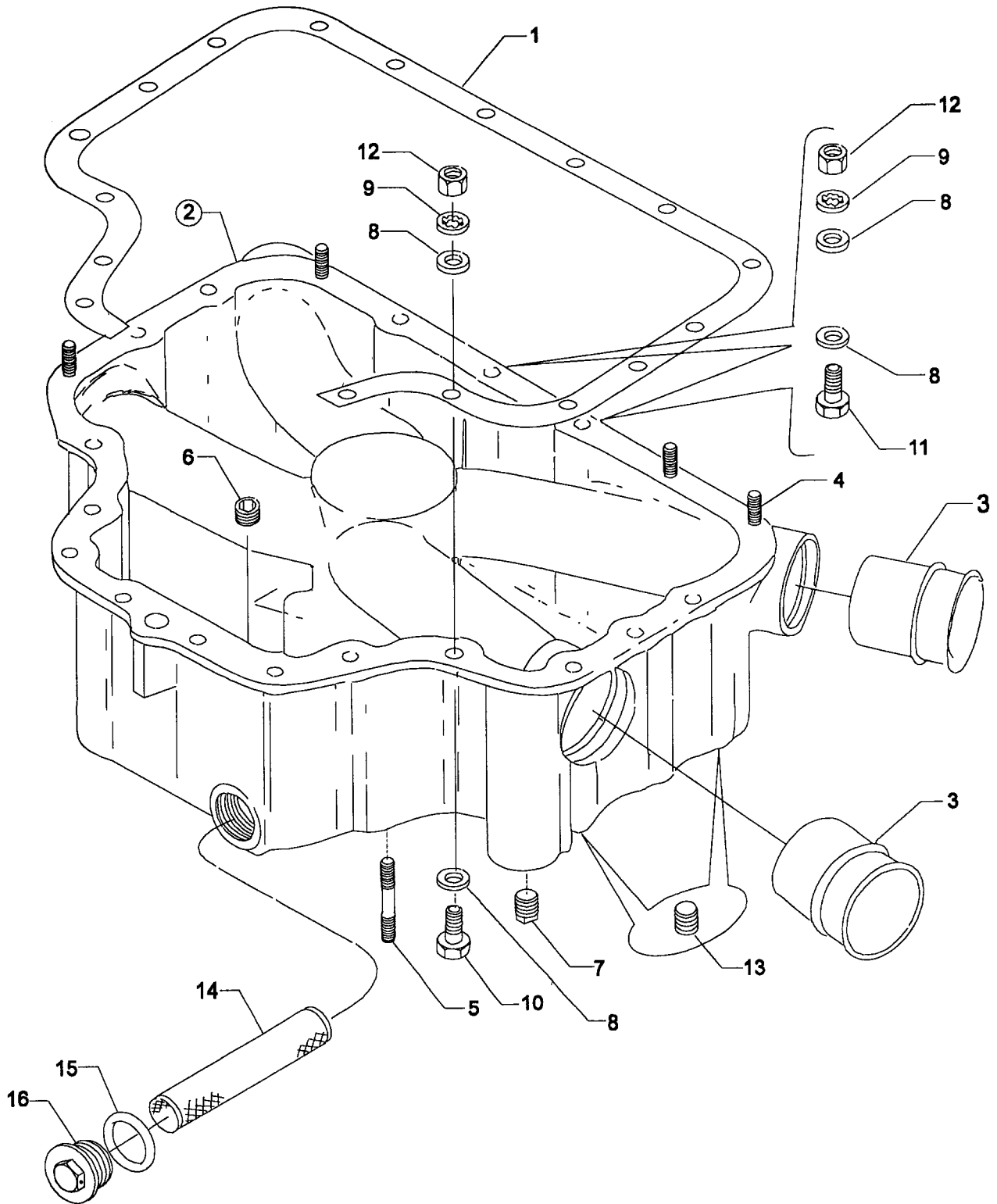


Figure 23. OIL SUMP ASSEMBLY AND OIL SUCTION SCREEN (C4P)

**OIL SUMP AND INDUCTION SYSTEM
INTAKE PIPES AND ATTACHING PARTS**

FIG. REF. 24	PART NUMBER	DESCRIPTION	QTY. PER ASSY.
1	70485	PIPE, Intake, all cylinders (C4P)	4
2	71712	PIPE, Intake, cyls. 1 & 2 (C4F)	2
	71713	PIPE, Intake, cyls. 3 & 4 (C4F)	2
3	69603	HOSE, 1-3/4 I.D. x 2-3/16 O.D. x 1-3/4 long	4
4	LW-15592-8-28	CLAMP, Hose	8
5	71973	GASKET, 2 bolt flange, 1-3/4 I.D.	4
6	73346	FLANGE, Intake pipe, upper	4
7	STD-8	WASHER, 1/4 plain	8
8	STD-160	WASHER, 1/4 lock, internal teeth	8
9	LW-25-1.25	BOLT, 1/4-20 x 1-1/4 long, hex. hd.	8

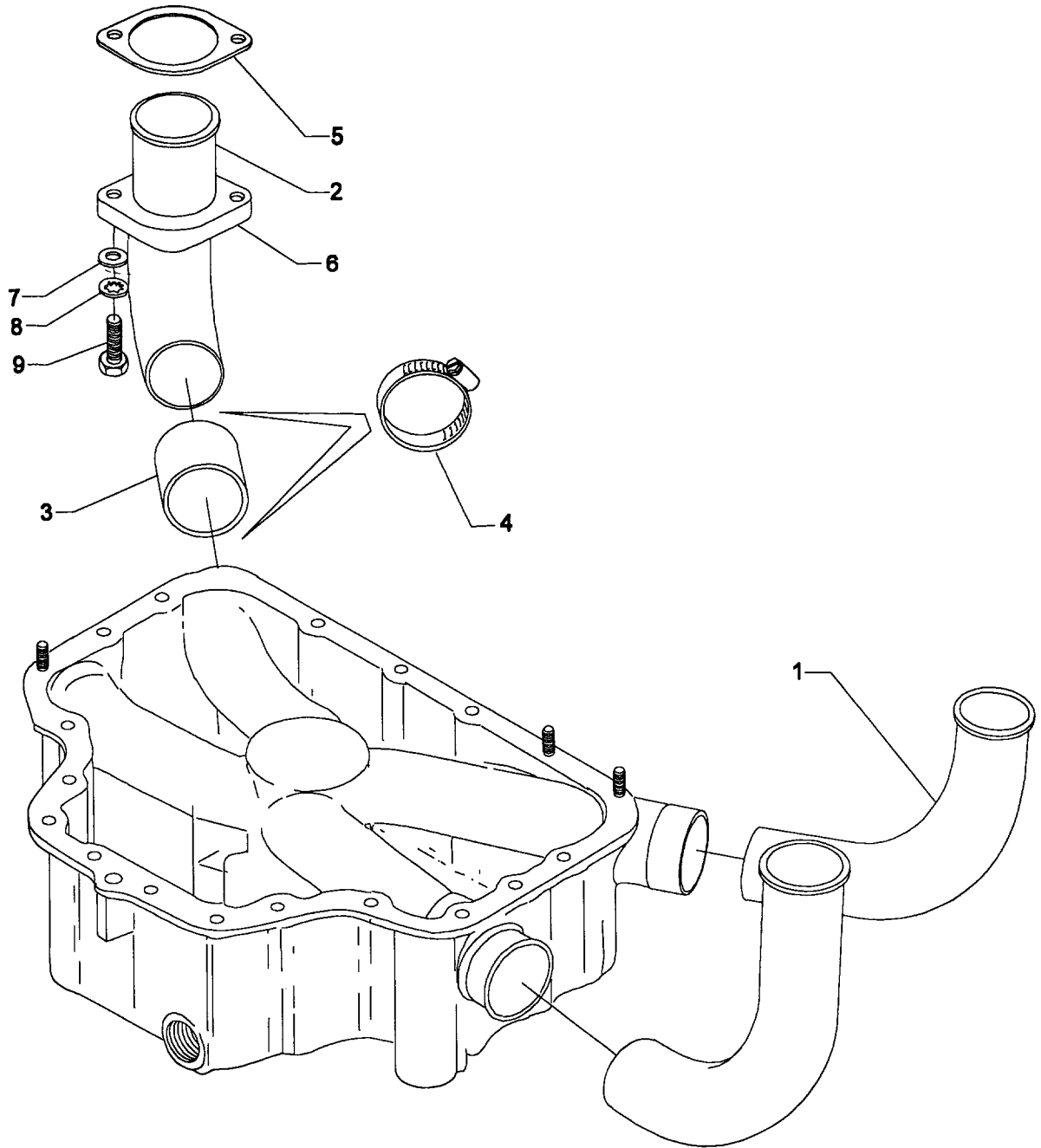


Figure 24. INTAKE PIPES AND ATTACHING PARTS

OIL SUMP AND INDUCTION SYSTEM
CARBURETOR ASSEMBLY

FIG. REF. 25	PART NUMBER	DESCRIPTION	QTY. PER ASSY.
1	77154	GASKET, Carburetor (C4F)	1
2	66224	GASKET, Carburetor (C4P)	1
3	LW-16625	CARBURETOR, HA-6 (10-5255) (C4F)	1
4	71098	CARBURETOR, MA 4-5 (10-3878) (C4P)	1
5	STD-35	WASHER, 5/16 plain	4
6	STD-475	WASHER, 5/16 lock, internal teeth	4
7	STD-1410	NUT, 5/16-18 plain	4
8	72377	ELBOW, 3/8 flared tube, adj.	1

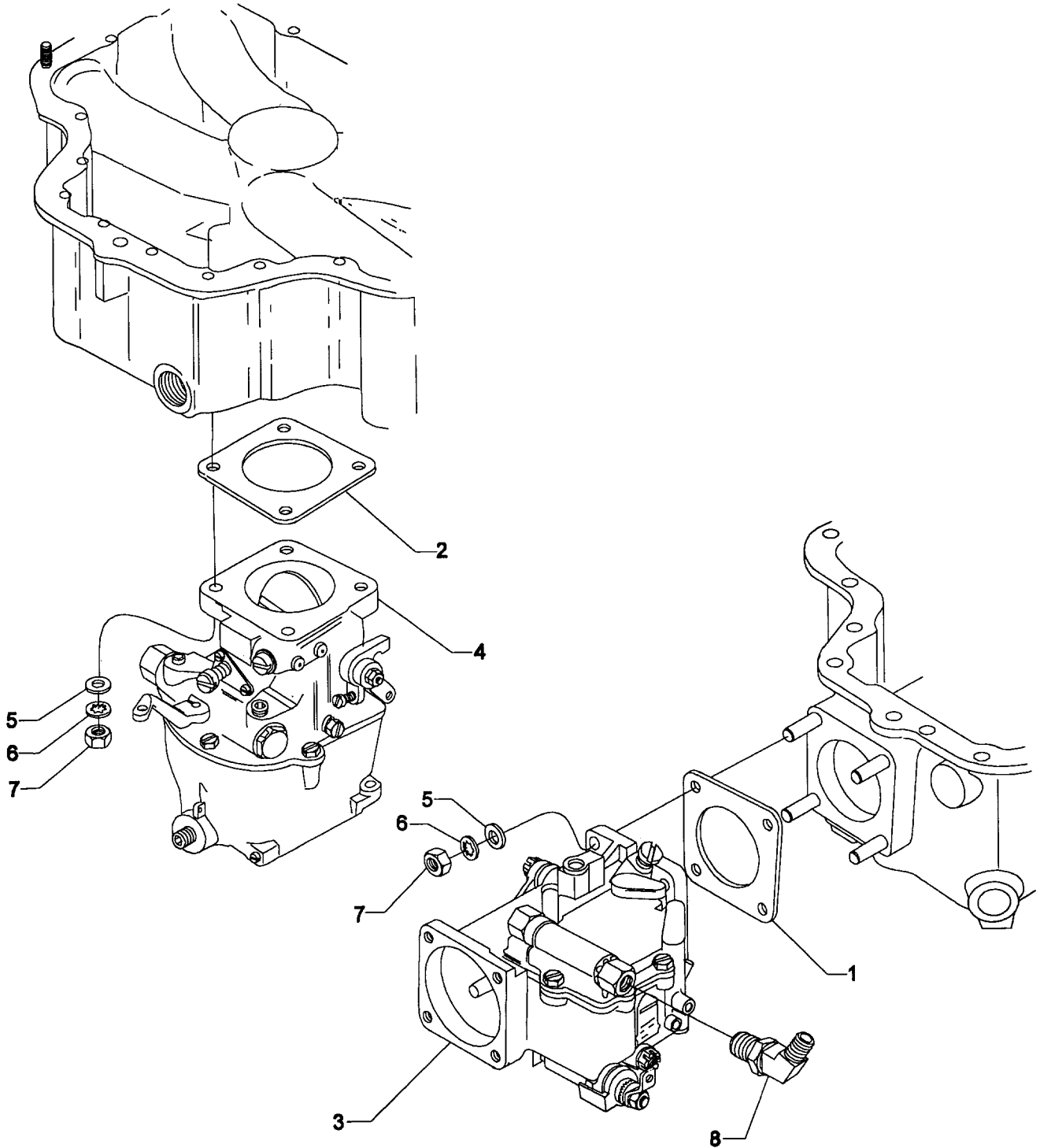


Figure 25. CARBURETOR ASSEMBLY

SECTION

7

**SERVICE KIT
SECTION**

SERVICE KIT SECTION SEAL AND GASKET KIT

Part No.	Part Name	Qty.
75439-1	SEAL AND GASKET SET	1
LW-10332	LOCKPLATE, Crankshaft gear	1
LW-12272	LOCKPLATE, Shroud tube	4
LW-12681	GASKET, Magneto	2
LW-12795	GASKET, Oil filter adapter	1
LW-13353	GASKET, Oil sump	1
LW-13792*	SEAL, Crankshaft oil	1
LW-14260	SEAL, Tachometer drive	1
LW-14995	SPRING, Shroud tube	4
LW-18639	LOCKPLATE, Crankshaft gear	1
LW-18661	SEAL, Shroud tube	8
LW-19296	GASKET, Exhaust flange	4
STD-213	SEAL, Oil	1
06A19956	SEAL, Oil	1
06E 19769-0.63	GASKET	2
06E 19769-1.00	GASKET	1
06E 19769-1.25	GASKET	1
1691-C	GASKET, Fuel pump	1
60096	GASKET, Fuel pump	1
61173	GASKET, Oil pressure housing	1
61183	GASKET, Accessory adapter	1
62224	GASKET, Magneto adapter	3
66224	GASKET, Carburetor	2
68315	GASKET, Accessory drive	1
69164	GASKET, Fuel pump adapter	1
69345	SPACER	4
69551	GASKET, Accessory drive	1
70310	SEAL, Shroud tube	8
70455	GASKET	1
71481	RING, Oil seal	4
71973	GASKET	4
72053	GASKET, Governor	2
72059	GASKET, Oil level gage	1
72075	SEAL, Oil	6
72078	LOCKPLATE	2
72091	RING, Oil seal	2
72220	GASKET, Oil level gage	1
72312	RING, Oil seal	1
72829	LOCKPLATE	1
73189	GASKET	1
73383	LOCKPLATE	2
73817	LOCKPLATE	2
73818	GASKET, Accessory housing	1
74065	RING, Oil level gage seal	1
74068	RING, Oil level gage plug	1
75906	GASKET, Rocker box cover	4

SERVICE KIT SECTION SEAL AND GASKET SET

Part No.	Part Name	Qty.
75439-1	SEAL AND GASKET SET (CONT.)	
76510	GASKET, Oil cooler bypass	1
76940*	SEAL, Crankshaft oil	1
77154	GASKET, Carburetor	1
77611	GASKET, Exhaust flange	4
8313	GASKET, Vacuum pump	1

* Refer to latest edition of Textron Lycoming Service Instruction No. 1324 for application.

SERVICE KIT SECTION CYLINDER, PISTON AND RING ASSEMBLY KIT

Part No.	Part Name	Qty.
05K21104	KIT - CYLINDER, PISTON AND RING ASSY.	1
LW-12427	CYLINDER AND HEAD ASSY.	1
LW-19001	VALVE, Exhaust	1
73938	VALVE, Intake	1
LW-11800	SPRING, Valve, outer	2
LW-11795	SPRING, Valve, inner	2
LW-10077	SEAT, Valve spring, upper, intake	1
LW-16475	SEAT, Valve spring, upper, exhaust	1
65441	SEAT, Valve spring, lower, intake	1
LW-13323	SEAT, Valve spring, lower, exhaust	1
60009	KEY, Valve, intake	2
17C21191	KEY, Valve, exhaust	2
17C19386	CAP, Valve stem, exhaust	1
75089	PISTON	1
74241	RING, Piston, compression	2
14H21950	RING, Piston, oil regulating	1
LW-14077	PIN, Piston	1
LW-11775	PLUG, Piston pin	2
60828	PLUG, Piston pin	2
71481	RING, Oil seal	1
LW-18661	SEAL, Shroud tube	2
70310	SEAL, Shroud tube	2
75906	GASKET, Rocker box cover	1
72198	PLUG, Piston pin	2
77611	GASKET, Exhaust	1
71973	GASKET, Intake	1

SERVICE KIT SECTION CRANKCASE ASSY. AND THRU STUD KIT

Part No.	Part Name	Qty.
11B20061-3SH-S	CRANKCASE ASSY. AND THRU STUD KIT	1
11B20061-3SH	CRANKCASE ASSY.	1
STD-1339	PLUG, 1/16 pipe	4
STD-2090	NUT	2
1102	PLUG, 1/8 pipe	6
74887	SPACER	2
76220	THRU STUD	4
SSP-582	TAG (Thin wall bearing)	1
SSP-272	TAG (Piston cooling nozzles)	1

SECTION

8

NUMERICAL INDEX

NUMERICAL INDEX

PART NO.	PART NAME	PAGE NO.	PART NO.	PART NAME	PAGE NO.
AN6-14	Bolt	5-5	LW-12706	Adapter	4-1
AN6-16	Bolt	5-5	LW-12795	Gasket	2-9
AN6-34A	Bolt	1-9	LW-12892	Thrust Button	3-5
AN960-616L	Washer	1-9	LW-13323	Seat	3-7
LW-25-0.94	Bolt	2-3	LW-13353	Gasket	6-1
LW-25-0.94	Bolt	6-1	LW-13353	Gasket	6-3
LW-25-0.94	Bolt	6-3	LW-13521	Bearing	3-1
LW-25-1.13	Bolt	1-9	LW-13790	Shaft	1-3
LW-25-1.13	Bolt	2-3	LW-13792	Seal	1-3
LW-25-1.13	Bolt	6-1	LW-13793	Stud	1-1
LW-25-1.13	Bolt	6-3	LW-13796	Shaft	1-7
LW-25-1.25	Bolt	6-5	LW-13884	Bearing	1-3
LW-25-1.50	Bolt	1-9	LW-13923	Bushing	3-1
LW-25-1.50	Bolt	2-3	LW-14077	Pin	3-1
LW-25S1.50	Bolt	1-9	LW-14260	Seal	2-3
LW-25-1.75	Bolt	1-9	LW-14313	Alternator	5-3
LW-31H0.75	Bolt	5-5	LW-14371	Alternator Assy.	5-3
LW-31H0.75	Bolt	5-7	LW-14780	Gage Assy.	1-3
LW-31H0.88	Bolt	1-7	LW-14995	Spring	3-7
LW-31-0.94	Bolt	5-5	LW-15571	Starter	5-1
LW-31-0.94	Bolt	5-7	LW-15592-5-05	Hose	3-9
LW-31-1.09	Bolt	5-2	LW-15592-8-28	Clamp	6-5
LW-31-1.16	Bolt	5-1	LW-16064	Support Assy.	1-5
LW-31S1.16	Bolt	5-7	LW-16335	Fuel Pump	2-5
LW-31S1.28	Bolt	5-7	LW-16471	Support Assy.	1-5
LW-38-0.75	Bolt	2-5	LW-16475	Seat	3-7
LW-10077	Seat	3-7	LW-16675	Carburetor	6-7
LW-11485	Shroud Tube Assy.	3-7	LW-16711	Bearing	1-3
LW-11713	Spring	1-3	LW-16783-13	Gage Assy.	1-3
LW-11750-S	Conn. Rod Assy.	3-1	LW-18085	Spring	1-3
LW-11775	Plug	3-1	LW-18639	Lockplate	1-5
LW-11795	Spring	3-7	LW-18661	Seal	3-7
LW-11800	Spring	3-7	LW-18667	Pin	1-7
LW-11997	Seal	1-3	LW-18840	Camshaft Assy.	1-7
LW-12186	Nut	3-1	LW-19001	Valve	3-7
LW-12272	Lockplate	3-7	LW-19296	Gasket	3-3
LW-12427	Cyl. & Head Assy.	3-3	MS20823-6D	Elbow	3-3
LW-12545	Plug	6-1	STD-8	Washer	1-9
LW-12545	Plug	6-3	STD-8	Washer	2-3
LW-12681	Gasket	4-1	STD-8	Washer	2-7

NUMERICAL INDEX (Continued)

PART NO.	PART NAME	PAGE NO.	PART NO.	PART NAME	PAGE NO.
STD-8	Washer	2-9	STD-784	Plug	2-1
STD-8	Washer	6-1	STD-784	Plug	2-9
STD-8	Washer	6-3	STD-872	Nut	1-9
STD-8	Washer	6-5	STD-872	Nut	5-5
STD-33	Washer	1-9	STD-1065	Dowel	1-5
STD-33	Washer	2-5	STD-1339	Plug	1-1
STD-35	Washer	2-3	STD-1353	Insert	3-3
STD-35	Washer	2-5	STD-1409	Nut	1-9
STD-35	Washer	3-3	STD-1410	Nut	2-5
STD-35	Washer	5-1	STD-1410	Nut	3-3
STD-35	Washer	5-2	STD-1410	Nut	4-1
STD-35	Washer	5-5	STD-1410	Nut	5-2
STD-35	Washer	5-7	STD-1410	Nut	6-7
STD-35	Washer	6-7	STD-1411	Nut	1-9
STD-68	Cotter Pin	5-7	STD-1411	Nut	2-7
STD-91	Plug	6-3	STD-1411	Nut	2-9
STD-160	Washer	1-9	STD-1411	Nut	3-7
STD-160	Washer	2-3	STD-1411	Nut	6-1
STD-160	Washer	2-7	STD-1411	Nut	6-3
STD-160	Washer	2-9	STD-1420	Nut	2-3
STD-160	Washer	6-1	STD-1420	Nut	5-7
STD-160	Washer	6-3	STD-1623	Insert	1-1
STD-160	Washer	6-5	STD-1727	Washer	5-5
STD-475	Washer	2-5	STD-1727	Washer	5-7
STD-475	Washer	3-3	STD-1774	Pin	2-7
STD-475	Washer	4-1	STD-1821	Hose	3-9
STD-475	Washer	5-1	STD-1856	Screw	2-9
STD-475	Washer	5-2	STD-1882	Screw	2-5
STD-475	Washer	6-7	STD-1925	Screw	3-9
STD-514	Dowel	1-1	STD-2090	Nut	3-5
STD-551	Plug	6-1	STD-2168	Nut	1-7
STD-551	Plug	6-3	STD-2213	Screw	1-5
STD-557	Dowel	1-1	STD-2229	Plug	6-3
STD-596	Nut	1-9	STD-2231	Ring	1-7
STD-619	Washer	1-1	25C-8	Stud	3-3
STD-678	Washer	1-9	25C-10	Stud	2-9
STD-678	Washer	2-5	25C-22	Stud	2-1
STD-684	Nipple	3-9	31C-12	Stud	1-1
STD-690	Washer	5-5	31C-12	Stud	2-1
STD-713	Cotter Pin	4-1	31C-12	Stud	3-3
STD-713	Cotter Pin	5-5	31C-13	Stud	1-1
STD-783	Plug	2-5	31C-14	Stud	6-1

NUMERICAL INDEX (Continued)

PART NO.	PART NAME	PAGE NO.	PART NO.	PART NAME	PAGE NO.
31C-15	Stud	6-3	68759	Tube Assy.	3-9
31C-15	Stud	6-3	68760	Tube Assy.	3-9
31C-19	Stud	2-1	68761	Tube Assy.	3-9
31CD-17	Stud	2-1	69106	Cover	2-5
38-13	Stud	1-1	69510	Housing	2-9
38D-17	Stud	1-1	69551	Gasket	2-5
50-15	Stud	1-1	69602	Connection	6-1
383-B	Nut	3-5	69603	Hose	6-5
1028-B	Ball	1-3	69796	Dowel	1-1
1102	Plug	1-1	70310	Seal	3-7
1102	Plug	2-1	70419	Bracket, Generator	5-7
1102	Plug	3-3	70484	Screen	6-1
1102	Plug	6-1	70484	Screen	6-3
1182-B7	Spark Plug	4-1	70485	Intake Pipes	6-5
1182-E7	Spark Plug	4-1	71032	Bushing	1-1
8313	Gasket	2-7	71098	Carburetor	6-7
60009	Key	3-7	71140	Fitting	2-9
60096	Gasket	2-5	71481	Ring	3-5
60430	Cover	2-7	71596	Washer	2-7
60803	Strap	1-9	71610	Hook	3-9
61084	Spring	1-3	71611	Retainer	3-9
61098	Adapter Assy.	2-7	71712	Intake Pipes	6-5
61173	Gasket	2-9	71713	Intake Pipes	6-5
61174	Shaft	2-3	71973	Gasket	6-5
61183	Gasket	2-7	72057	Seat	3-3
61247	Cover	3-9	72058	Seat	3-3
61400	Stud	6-1	72059	Gasket	1-3
61400	Stud	6-3	72075	Seal	1-3
61544	Plunger	1-7	72091	Ring	1-3
61665	Magneto Gear	4-1	72155-S	Bushing	1-5
61681	Guide, Intake	3-3	72377	Elbow	6-7
62224	Gasket	4-1	72566	Gear	1-5
62417	Plug	2-9	72877	Body	1-3
62817	Screen Assy.	2-9	72970	Gear Assy.	2-7
65098	Fuel Pump Cover	2-5	73346	Flange	6-5
65441	Seat	3-7	73383	Lockplate	5-5
66224	Gasket	6-7	73383	Lockplate	5-7
66610	Bushing	3-3	73437	Rod Assy.	3-5
66796	Insert	3-3	73818	Gasket	2-1
68668	Spring	1-3	73938	Valve	3-7

NUMERICAL INDEX (Continued)

PART NO.	PART NAME	PAGE NO.	PART NO.	PART NAME	PAGE NO.
74065	Ring	1-3	06E19769-0.63	Gasket	2-9
74068	Ring	1-3	06E19769-1.00	Gasket	6-1
74230	Guide, Exhaust	3-3	06E19769-1.00	Gasket	6-3
74241	Ring	3-1	06E19769-1.25	Gasket	1-3
74323	Strut	5-5	07A19474	Bracket, Alternator	5-5
74637	Bushing	3-5	11B20061-3SH	Crankcase Assy.	1-1
74887	Spacer	3-5	13B27135	Crk'shft & Bush. Assy.	1-5
74996	Gear Assy.	1-7	13S19646	Gear	1-5
75061	Bolt	3-1	14H21950	Ring	3-1
75072	Gear Assy.	1-7	15B21319	Socket	3-7
75089	Piston	3-1	15F19957-34	Rod Assy.	3-5
75154	Stud	1-1	15F19957-35	Rod Assy.	3-5
75339	Baffle Assy.	3-9	15F19957-36	Rod Assy.	3-5
75380	Link	5-5	17C19386	Cap	3-7
75656-S	Bushing	1-5	17C21191	Key	3-7
75657-S	Bushing	1-5	17F19357	Rocker Assy.	3-5
75736	Tube	1-3	18A19441	Bearing	1-3
75767	Tube	1-3	21A21533-02	Housing Assy.	2-1
75888	Stud	2-1	21A21533-04	Housing Assy.	2-1
75906	Gasket	3-9	31A22110	Starter	5-2
76028	Link	5-7	36B19484	Pulley	5-3
76118	Spacer	1-7	37A19773-376	Belt, Alternator	5-3
76121	Shaft Assy.	1-7	37A19773-325	Belt, Generator	5-3
76220	Stud	1-9	53E22144	Valve Assy.	2-9
76510	Gasket	2-9	54D19625	Oil Filter	2-9
76534	Shim	5-5	66GC20SFNN	Magneto	4-1
77154	Gasket	6-7	66GP-OSANN	Magneto	4-1
77159	Sump Assy.	6-1	66M21195	Clamp	4-1
77309	Bushing	1-7	67P20406	Harness Assy.	4-1
77467	Spring	1-3	67P20407	Harness Assy.	4-1
77611	Gasket	3-3	68C19622	Magneto Gear	4-1
77718	Strut	5-7			
77808	Valve Assy.	1-3			
77852	Oil Filter Base Assy.	2-9			
78290	Plunger Assy.	3-7			
78531	Body	2-3			
78914	Connecting	6-3			
78915	Sump Assy.	6-3			
01P19762-1-43	Bag Attaching	4-1			
05K19423-S	Impeller Kit	2-3			
06A19956	Oil Seal	2-7			